

## Series 80 Mighty Mouse ASAP Cordsets for High Speed Serial Data Introduction



**Mighty Mouse for 100BASE-T**  
*compared to RJ-45 Plug in MIL-  
DTL-38999 Connector*

### PRODUCT FACTS

- Compact Weight-Saving Design with size #23 Contacts
- USB 2.0, 100BASE-T, 1000BASE-T, IEEE 1394
- Environmentally Protected, Robust Construction
- Aerospace-Grade Cable Meets FAA FAR 25 Flammability
- Tactical-Grade Cable Meets Low-Toxicity Requirements
- Silver-Coated Copper Braid Shield With 95% Coverage over Aluminized Mylar Shield
- Threaded Coupling, Quick-Disconnect or Bayonet Mating

## Glenair's Series 80 ASAP Cordsets for High Speed Ethernet, USB and Firewire Applications

High-reliability aerospace and defense systems have adopted commercial data protocols such as Ethernet and USB; however, commercial-grade connectors such as RJ-45 modular plugs are not suitable for airframe or tactical deployments where shielding, environmental protection, and mechanical robustness are prime considerations. The Mighty Mouse connector, because of its compact size, ruggedness and in-stock availability, is widely deployed for 100BASE-T, 1000BASE-T and USB 2.0 applications on commercial air transport, military airframe, unmanned vehicles, and dismounted soldiers. This section of the Series 80 catalog provides ordering information and technical information on Mighty Mouse cordsets for Ethernet and other high speed data applications. These ASAP cordsets in this section feature military-grade construction with the quickest delivery in the industry.



**Full-Duplex Ethernet Switch**  
*with Glenair Series 801 4 Pin  
Receptacles and Glenair 38999  
Fiber Optic Connectors*

Dimensions in inches (millimeters) and are subject to change without notice.



## Series 80 Mighty Mouse ASAP Cordsets for High Speed Serial Data Introduction



**100BASE-T Cordset**  
with 4 Pin Series 800 Connector

Upgrade commercial high speed serial interconnects to mil-spec performance. Glenair's ASAP "Mighty Mouse" cordsets are available for 100BASE-T, Gigabit Ethernet, IEE 1394 and USB 2.0 applications. These cordsets combine aerospace-grade data cables with Series 80 "Mighty Mouse" harsh environment connectors for maximum performance and minimum size.

**FEP jackets** meet FAA flammability requirements. Or, choose **low smoke / zero halogen polyurethane jackets** for mass transit or shipboard applications.

**Three strain relief options** – Standard overmolded cables offer excellent strain-relief and cable sealing. Or, choose heatshrink boots for smallest form factor. If repairability and ruggedness are important, choose machined aluminum EMI backshells.

### Three reasons to specify Glenair Series 80 cordsets

**1 Simplified Ordering:** No need to buy cable, connectors, termination tools and strain reliefs.

**2 Guaranteed Performance:** All cordsets are 100% electrically tested.

**3 Faster Delivery:** Cable and connector components are in stock.

### HOW TO ORDER CORDSETS

#### Step 1: Select the Connector Series

Table 1 lists the five types of Series 80 connectors. For more information on selecting a connector, please refer to the connector selection chart on the following page. This section does not contain ordering information for series 802 "Aqua Mouse" cordsets. Please contact Glenair for information on hazardous environment high pressure cables for the 802 Series.

#### Step 2: Select the Cable

Table 2 contains specifications for standard data cables. The cable type also determines the connector layout. **4 pin connectors are used for 4 wire cables, and 10 pin connectors are used for 8 wire cables.**

#### Step 3: Select a Cable Jacket

Table 3 shows available jacket options. Choose FEP fluorocarbon jackets for airframe and avionics applications, or choose low smoke/zero halogen polyurethane jackets for soldier systems, vehicles, and transit systems.

#### Step 4: Select a Cable-To-Connector Interface

Table 3 provides three ways to attach the cable to the connector:

1. Polyamide boot, overmolded with flexible strain relief
2. Aluminum backshell, shielded, watertight and removable
3. Heat-shrink boot, low smoke/ zero halogen

#### Step 5: Select a Connector Configuration

Table 1 shows connector codes for specifying plug versus receptacle and pin versus socket contacts. Add a plating code, keying option and length.

Dimensions in inches (millimeters) and are subject to change without notice.

© 2010 Glenair, Inc.

CAGE Code 06324

Printed in U.S.A.

**GLENAIR, INC. • 1211 AIR WAY • GLENDALE, CA 91201-2497 • 818-247-6000 • FAX 818-500-9912**

www.glenair.com


**K-2**

E-Mail: sales@glenair.com

01-JANUARY-2010

**Series 80 Mighty Mouse  
ASAP Cordsets for High Speed Serial Data  
Connector Selection Guide**



CONNECTOR SELECTION GUIDE	Series 800	Series 801	Series 803	Series 804	Series 805
					
<b>Description</b>	<b>UNF Threads</b>	<b>Double-Start ACME</b>	<b>¼ Turn Bayonet</b>	<b>Push-Pull</b>	<b>Triple-Start ACME</b>
<b>Notes</b>	A general purpose connector for Ethernet switches, tactical equipment and instrumentation.	More rugged keys and threads compared to Series 800. Faster mating, slightly larger than Series 800.	Quick-mating, light duty, general purpose. Not rated for immersion. 50 milliohms shell-to-shell resistance.	Breakaway connector for headsets and tactical equipment. Gold-plated spring for long mating life and superior EMI shielding.	“Clicker” ratchet mechanism and ground spring for military airframes and avionics boxes. Fast-mating, D38999 equivalent.
<b>Coupling</b>	Threaded Coupling with 4 ½ Turns to Full Mate	Threaded Coupling with 1 ½ Turns to Full Mate	Push-to-Mate, ¼ Turn to Lock	Quick-Disconnect with Canted Spring	One Full Turn for Full Mate
<b>Water Immersion</b>	MIL-STD-810 Method 512 1 Meter for 1 Hour	MIL-STD-810 Method 512 1 Meter for 1 Hour	Splashproof	MIL-STD-810 Method 512 1 Meter for 1 Hour	MIL-STD-810 Method 512 1 Meter for 1 Hour
<b>EMI Shielding</b>	Good	Good	Fair	Very Good	Excellent
<b>Vibration and Shock</b>	37 g's Random Vibration 300 g's Shock	37 g's Random Vibration 300 g's Shock	37 g's Random Vibration 300 g's Shock	37 g's Random Vibration 300 g's Shock	37 g's Random Vibration 300 g's Shock
<b>Mating Cycles</b>	2000 Cycles	2000 Cycles	250 Cycles Aluminum 2000 Cycles SST	2000 Cycles	500 Cycles
<b>Proven Performance Applications</b>	Commercial air frame sensors; UAV telemetry; Tactical computers; field radios;	Military air frame; Dismounted soldier; Tactical ground weaponry; Avionic (FLIR) system	Soldier system radios; Autosport diagnostics; Airborne surveillance	Helmet breakaway connector; QDC battery; Missile applications; Weapon interconnect	Autosport; Military air frame; Joint Strike Fighter

Dimensions in inches (millimeters) and are subject to change without notice.



**TABLE 1: HOW TO ORDER SERIES 80 CORDSETS FOR HIGH SPEED DATA**

Sample Part Number									
801-024	B	F	P	A	C	M	P	Z	-72
Connector Series	Cable	Cable Jacket	Strain Relief	Connector End A P1	Connector End B P2	Shell Material / Finish	Protective Cover	Shell Pol. Pos.	OAL Length
<b>800-035</b> Series 800 Cordset, UNF Threaded Coupling, Hex Nut	<b>A</b> 100BASE-T Ethernet 4 Cond. UTP, OAL Shield 4 Pin Connector	<b>F</b> FEP Fluorocarbon Jacket, Translucent Blue	<b>P</b> Polyamide Overmold	<b>A</b> Plug, with Male Pin Contacts	<b>A</b> Plug, with Male Pin Contacts	<b>M</b> Aluminum / Electroless Nickel RoHS Compliant	<b>P</b> Metal Protective Covers Included	Polarizing position depends on the connector series.	Overall Length In Inches
<b>801-024</b> Series 801 Cordset, Double-Start Threaded Coupling	<b>B</b> 100BASE-T Ethernet Quad, OAL Shield, 4 Pin Connector	<b>P</b> Low Smoke/ Zero Halogen Polyurethane Jacket, Black	<b>B</b> Metal Backshell	<b>B</b> Plug, with Female Socket Contacts	<b>B</b> Plug, with Female Socket Contacts	<b>NF</b> Aluminum / Cadmium with Olive Drab Chromate	<b>N</b> No Covers Supplied	For Series 800 and 803:	12 Inch Min.
<b>803-007</b> Series 803 Cordset, Push-Pull With Bayonet Lock Coupling	<b>C</b> 1000BASE-T Gigabit Ethernet 8 Cond. UTP, OAL Shield, 10 Pin Connector		<b>H</b> Heat-Shrink Boot, Low Smoke/ Zero Halogen	<b>C</b> Receptacle, with Male Pin Contacts	<b>C</b> Receptacle, with Male Pin Contacts	<b>ZN</b> Aluminum / Zinc-Nickel with Olive Drab Chromate		<b>X</b> Pos. X	
<b>804-013</b> Series 804 Cordset, Quick-Disconnect Push-Pull	<b>D</b> IEEE 1394 Hi-Speed Quad 110 Ohm, 4 Pin Connector			<b>D</b> Receptacle, with Female Socket Contacts	<b>D</b> Receptacle, with Female Socket Contacts	<b>ZNU</b> Aluminum / Zinc-Nickel with Black Chromate		<b>Y</b> Pos. Y	
<b>805-007</b> Series 805 Cordset, Tri-Start Threaded Coupling with Ratchet and Ground Spring	<b>E</b> USB 2.0, Two #22 Power, One STP #26				<b>N</b> No Connector (Single-Ended)	<b>MT</b> Aluminum / Nickel-PTFE RoHS Compliant		<b>Z</b> Pos. Z	
	<b>F</b> Two STP, 100 Ohm, OAL Shield, 4 Pin Connector					<b>Z1</b> Stainless Steel / Passivated RoHS Compliant		For Series 801 and 805:	
	<b>G</b> Four STP, 100 Ohm, OAL Shield, 10 Pin Connector							<b>A</b> Normal	
								<b>B</b> Pos. B	
								<b>C</b> Pos. C	
								<b>D</b> Pos. D	
								For Series 804:	
								<b>Omit</b>	
								for Single Master Key	
								<b>A</b> Normal	
								<b>B</b> Pos. B	
								<b>C</b> Pos. C	
								<b>D</b> Pos. D	

Dimensions in inches (millimeters) and are subject to change without notice.

**Series 80 Mighty Mouse  
ASAP Cordsets for High Speed Serial Data  
Cable and Jacket Specifications**



**TABLE 2: CABLE SPECIFICATIONS**

	Cable Code						
	A	B	C	D	E	F	G
<b>Cable Type</b>	100BASE-T	100BASE-T	1000BASE-T	IEEE 1394	USB 2.0	100 Ω STP	100 Ω STP
<b>Construction</b>	UTP	Quad	UTP	Quad	STP	STP	STP
<b>Number of Pairs</b>	2	-	4	-	1	2	4
<b>Number of Conductors</b>	4	4	8	4	4	4	8
<b>Conductor AWG</b>	24	24	24	24	26 & 22	26	26
<b>Conductor Material</b>	SCCA	SCCA	SCCA	SCCA	SCCA	SCCA	SCCA
<b>Conductor Insulation</b>	FEP	FEP	FEP	FEP	FEP	FEP	FEP
<b>Inner Shield</b>	AM	AM	AM	AM	SCCB	AM	AM
<b>Outer Shield</b>	SCCB	SCCB	SCCB	SCCB	SCCB	SCCB	SCCB
<b>Shield Coverage</b>	95% Min.	95% Min.	95% Min.	95%	95%	95%	95%
<b>Impedance</b>	100 ± 10 Ω	100 ± 10 Ω	100 ± 10 Ω	110 ± 7 Ω	90 ± 13 Ω	100 ± 10 Ω	100 ± 10 Ω
<b>Capacitance (pF/ft.)</b>	13.0	13.0	14.5	12.5	13.0	13.0	13.0
<b>Propagation Velocity</b>	80%	80%	70%	80%	70%	80%	80%
<b>Attenuation (dB/100 ft.) 10MHz</b>	3.1	3.1	3.1	2.9			
<b>Attenuation dB/100 ft.) 100 MHz</b>	8.0	8.0	8.0	7.5			
<b>Attenuation (dB/100 ft.) 500 MHz</b>	-	-	-	15.5			
<b>Attenuation (dB/100 ft.) 1GHz</b>	-	-	-	22.5			
<b>Near-End Crosstalk dB @10MHz</b>	47	47	47.0	47.0			
<b>Near-End Crosstalk dB @100MHz</b>	32	32	32.0	32.0			
<b>Dielectric Withstanding Voltage</b>	1500 VAC	1500 VAC	1500 VAC	1500 VAC	1500 VAC	1500 VAC	1500 VAC



AM – Aluminum Mylar    SCCA – Silver-Coated Copper Alloy    SCCB – Silver-Coated Copper Braid.  
Attenuation values are nominal. Crosstalk values are minimum.

**TABLE 3: CABLE JACKET OPTIONS**

	Jacket Code			
	F	P		
<b>Jacket Material</b>	Extruded FEP	Low Smoke/ Zero Halogen Polyurethane		
<b>Typical Use</b>	Airframe, Avionics, Missile	Dismounted Soldier, Shipboard, Armored Vehicle, Railcar		
<b>UL Rating</b>	94 V-0	94 V-0		
<b>FAA Flammability</b>	FAR 25.853(a) FAR 25.869(a)(4)	FAR 25.853(a)		
<b>Temperature Range</b>	-55° to +200° C.	-30 to +105° C.		
<b>Resistance to Solvents</b>	Excellent	Excellent		
<b>Flexibility</b>	Good	Excellent		
<b>Abrasion Resistance</b>	Excellent	Excellent		
<b>Color</b>	Translucent Blue	Black		
<b>Smoke Index NES 711</b>		24		
<b>Toxicity Index NES 713</b>		3.9		
<b>Oxygen Index ASTM D-2863</b>	95%	28%		
<b>Overall Cable Diameter</b>	Cable Code	Diameter	Cable Code	Diameter
	A	.210 (5.33)	A	.238 (6.05)
	B	.175 (4.45)	B	.218 (5.54)
	C	.265 (6.73)	C	.311 (7.90)
	D	.190 (4.83)	D	.236 (5.99)
	E	.200 (5.08)	E	.250 (6.35)
	F	.250 (6.35)	F	.300 (7.62)
G	.298 (7.57)	G	.344 (2.18)	

Dimensions in inches (millimeters) and are subject to change without notice.

**TABLE 4: CABLE-TO-CONNECTOR INTERFACE (STRAIN RELIEF)**

	<b>Strain Relief Code</b>		
	<b>P</b>	<b>B</b>	<b>H</b>
	 <b>Polyamide Overmold</b>	 <b>Aluminum Backshell</b>	 <b>Heat-Shrink Boot</b>
<b>Material</b>	Polyamide	6061-T6 Aluminum	Polyolefin
<b>Max. Operating Temperature</b>	105° C.	150° C.	105° C.
<b>Hardness</b>	75 Shore A	N/A	
<b>Low temperature Brittle Point</b>	< -45° C.	N/A	< -55° C.
<b>Volume Resistivity</b>	>10 <sup>12</sup> Ohms cm	N/A	
<b>Dielectric Strength</b>	>12 kV/mm	N/A	>12 kV/mm
<b>Flammability (UL 94)</b>	V0 Vertical Burn	N/A	V0 Vertical Burn
<b>Smoke Index (NES 711)</b>	<10	N/A	9.0
<b>Toxicity Index (NES 713)</b>	<7	N/A	1.9
<b>Resistance to Ozone</b>	Excellent	N/A	Excellent
<b>Oil Resistance</b>	Good	N/A	Good
<b>Polar Solvents (alcohol)</b>	Poor	N/A	Good
<b>Non-polar Solvents</b>	Good	N/A	Good
<b>Fuel Resistance</b>	Good	N/A	Fair
<b>Immersion</b>	1 meter MIL-STD-810 Method 512	IP67	1 meter MIL-STD-810 Method 512
<b>Part Number</b>	(Not Sold Separately)	390MS076	770-003

Dimensions in inches (millimeters) and are subject to change without notice.



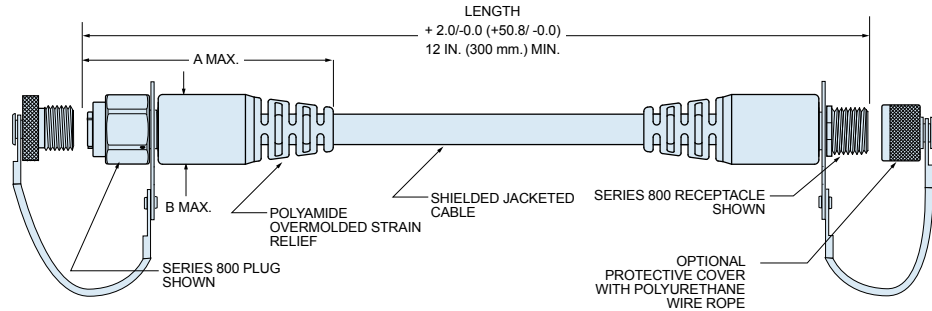
# Series 80 Mighty Mouse ASAP Cordsets Dimensions Strain Relief Codes P, B and H



## ASAP CORDSET DIMENSIONS

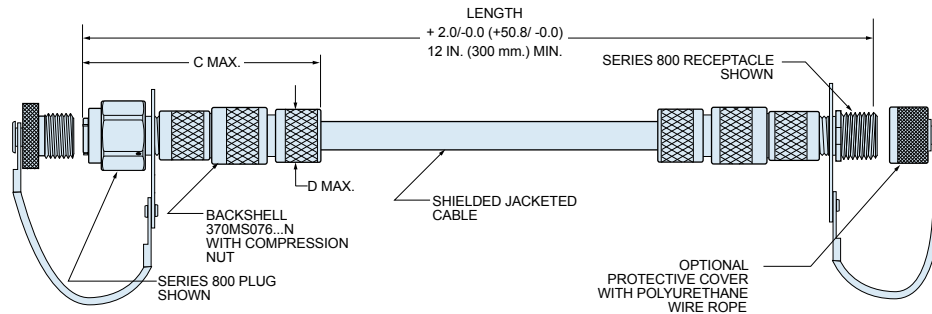
### Strain relief Code P

Polyamide  
Overmold



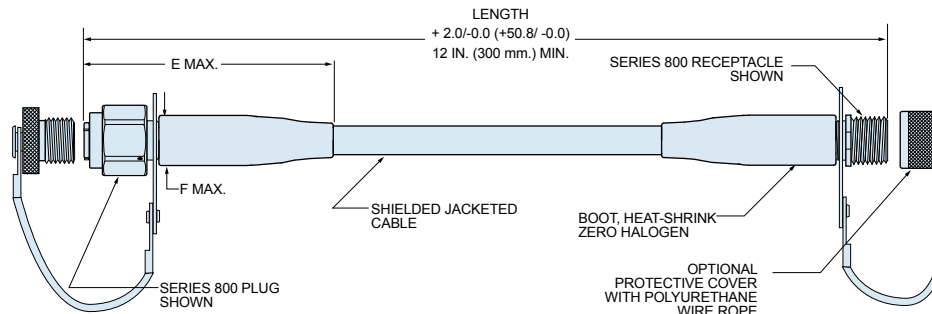
### Strain relief Code B

Metal Backshell



### Strain relief Code H

Heatshrink Boot



## DIMENSIONS

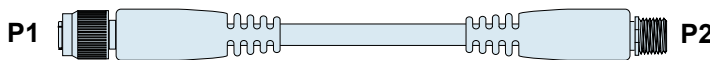
Cable Code	Type	Number of Connector Pins	A Max.		B Max.		C Max.		D Max.		E Max.		F Max.	
			In.	mm.	In.	mm.	In.	mm.	In.	mm.	In.	mm.	In.	mm.
A	2 Pair UTP 100 Ω	4	2.500	63.50	.560	14.22	2.100	53.34	.530	13.46	1.600	40.64	.470	11.94
B	Quad 100 Ω	4	2.500	63.50	.560	14.22	2.100	53.34	.530	13.46	1.600	40.64	.470	11.94
C	4 Pair UTP 100 Ω	10	2.500	63.50	.680	17.27	2.100	53.34	.600	15.24	1.600	40.64	.580	14.73
D	Quad 110 Ω	4	2.500	63.50	.560	14.22	2.100	53.34	.530	13.46	1.600	40.64	.470	11.94
E	USB 90 Ω	4	2.500	63.50	.560	14.22	2.100	53.34	.600	15.24	1.600	40.64	.470	11.94
F	2 Pair STP 100 Ω	4	2.500	63.50	.560	14.22	2.100	53.34	.600	15.24	1.600	40.64	.470	11.94
G	4 Pair STP 100 Ω	10	2.500	63.50	.680	17.27	2.100	53.34	.600	15.24	1.600	40.64	.580	14.73

Dimensions in inches (millimeters) and are subject to change without notice.

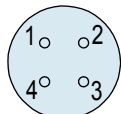
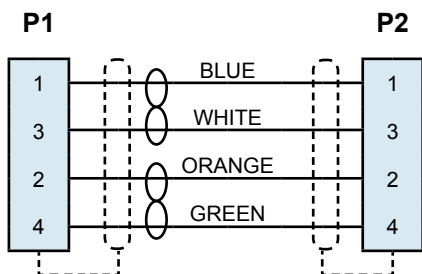


# Series 80 "Mighty Mouse" ASAP Cordsets Wiring Schematics Type A, B and C Cables

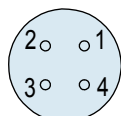
## WIRING SCHEMATICS FOR TYPE A AND TYPE B CABLE



**WIRING DIAGRAM  
CABLE TYPE A  
100BASE-T UTP**

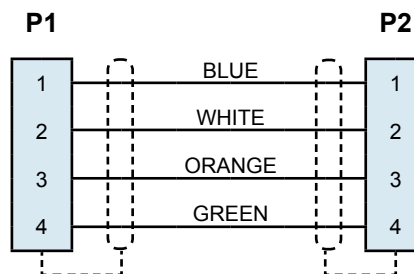


Pin Connector  
Mating Face



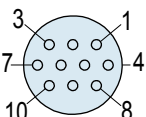
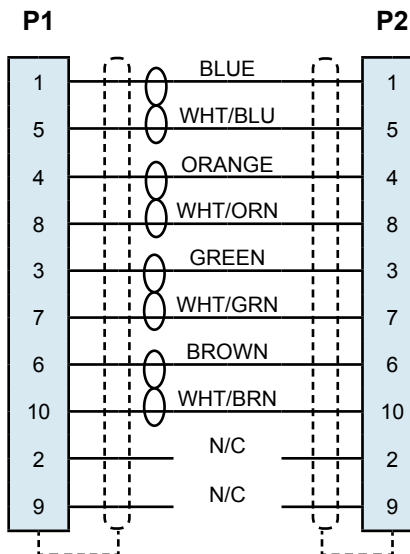
Socket Connector  
Mating Face

**WIRING DIAGRAM  
CABLE TYPE B  
100BASE-T QUAD**

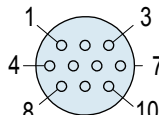


## WIRING SCHEMATIC FOR TYPE C CABLE FOR GIGABIT ETHERNET APPLICATIONS

**WIRING DIAGRAM  
CABLE TYPE C  
1000BASE-T UTP**



Pin Connector  
Mating Face



Socket Connector  
Mating Face

**10 Pin Connector  
for Gigabit  
Ethernet**

K

Dimensions in inches (millimeters) and are subject to change without notice.

© 2010 Glenair, Inc.

CAGE Code 06324

Printed in U.S.A.

**GLENAIR, INC. • 1211 AIR WAY • GLENDALE, CA 91201-2497 • 818-247-6000 • FAX 818-500-9912**

www.glenair.com

**K-8**

E-Mail: sales@glenair.com

30-MARCH-2010



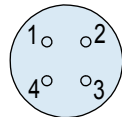
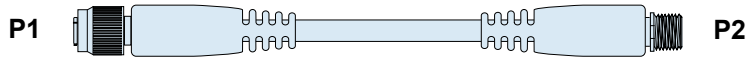
Series 80 Mighty Mouse  
ASAP Cordsets Wiring Schematics  
Type D and E Cables



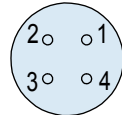
WIRING SCHEMATIC FOR TYPE D QUAD CABLE FOR IEEE 1394 APPLICATIONS



4 Pin Connector for  
IEEE 1394

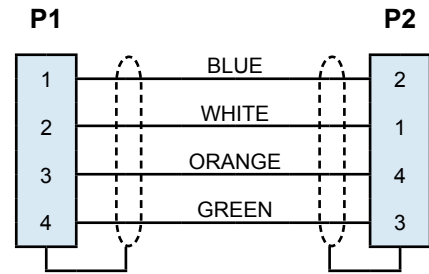


Pin Connector  
Mating Face

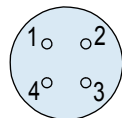
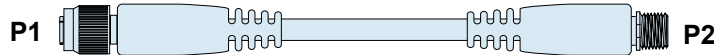


Socket Connector  
Mating Face

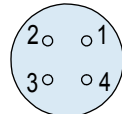
WIRING DIAGRAM  
CABLE TYPE D  
1394 QUAD



WIRING SCHEMATIC FOR TYPE E CABLE FOR USB 2.0 APPLICATIONS

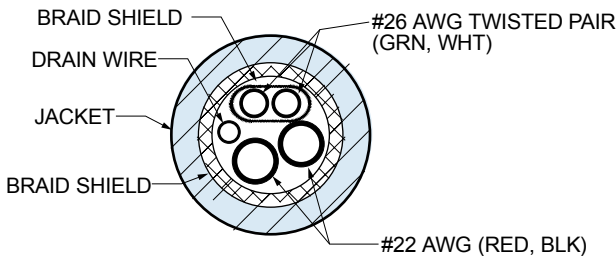
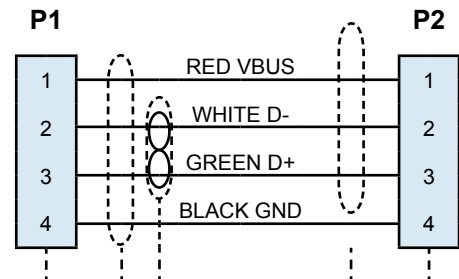


Pin Connector  
Mating Face



Socket Connector  
Mating Face

WIRING DIAGRAM  
CABLE TYPE E  
USB 2.0



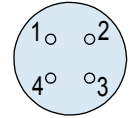
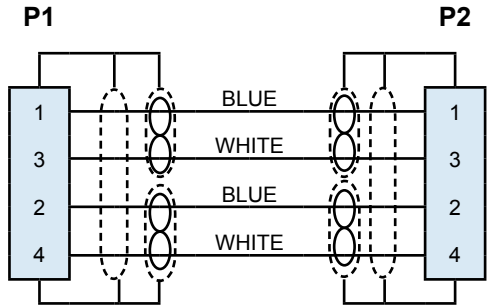
Dimensions in inches (millimeters) and are subject to change without notice.



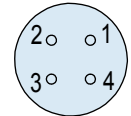
# Series 80 Mighty Mouse ASAP Cordsets Wiring Schematics Type F and G Cables

## WIRING SCHEMATIC FOR TYPE F CABLE FOR 100 OHM STP APPLICATIONS

**WIRING DIAGRAM  
CABLE TYPE F  
TWO 100 OHM SHIELDED TWISTED  
PAIRS WITH OVERALL SHIELD**



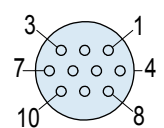
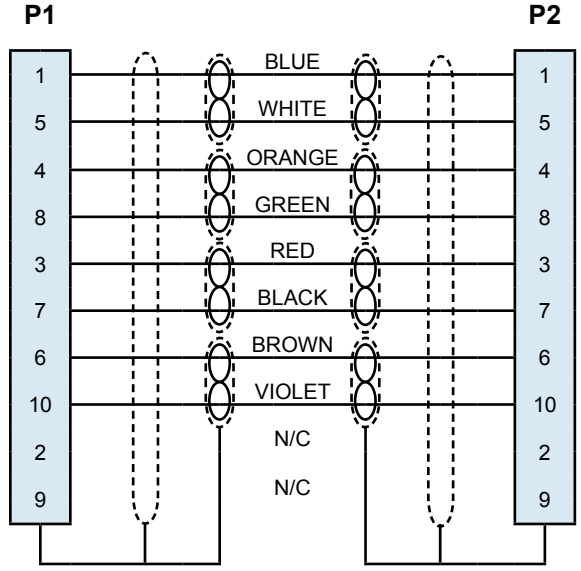
Pin Connector  
Mating Face



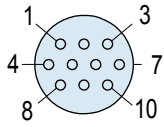
Socket Connector  
Mating Face

## WIRING SCHEMATIC FOR TYPE G CABLE FOR 100 OHM STP APPLICATIONS

**WIRING DIAGRAM  
CABLE TYPE G  
FOUR STP**



Pin Connector  
Mating Face



Socket Connector  
Mating Face

Dimensions in inches (millimeters) and are subject to change without notice.

© 2010 Glenair, Inc.

CAGE Code 06324

Printed in U.S.A.

**GLENAIR, INC. • 1211 AIR WAY • GLENDALE, CA 91201-2497 • 818-247-6000 • FAX 818-500-9912**

www.glenair.com

**K-10**

E-Mail: sales@glenair.com

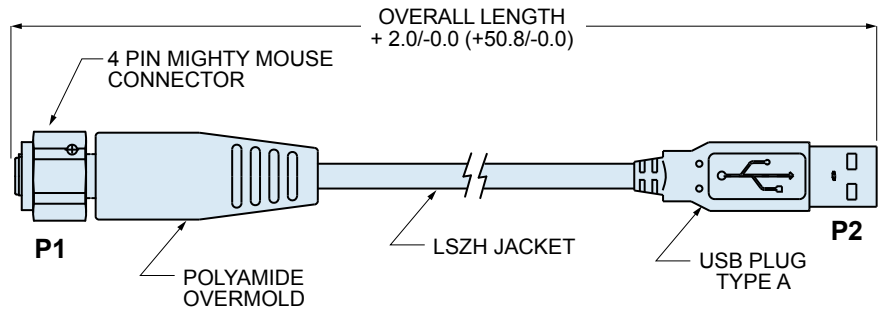
01-JANUARY-2010

# Series 80 Mighty Mouse USB 2.0 Cordsets

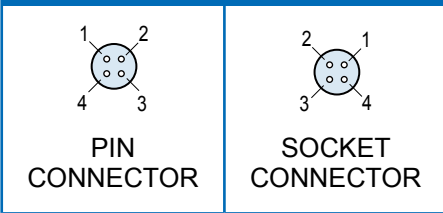


## Cordset, USB Type A Plug to Mighty Mouse Connector

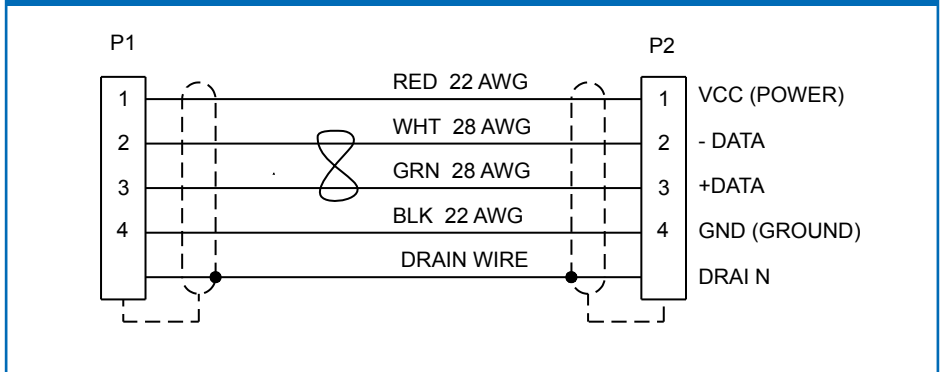
These USB 2.0 cordsets have a standard USB type A plug on one end and a ruggedized Mighty Mouse plug on the other end. Low smoke zero halogen cable is UL VW-1 rated. #22 AWG power leads provide maximum current and low resistance. #28 AWG twisted pair data leads help reduce crosstalk. Rugged flexible molded cable ends provide strain relief and ingress protection. 100% tested for continuity and insulation resistance.



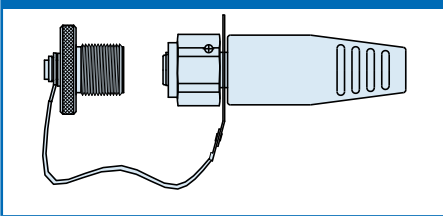
### P1 PINOUTS



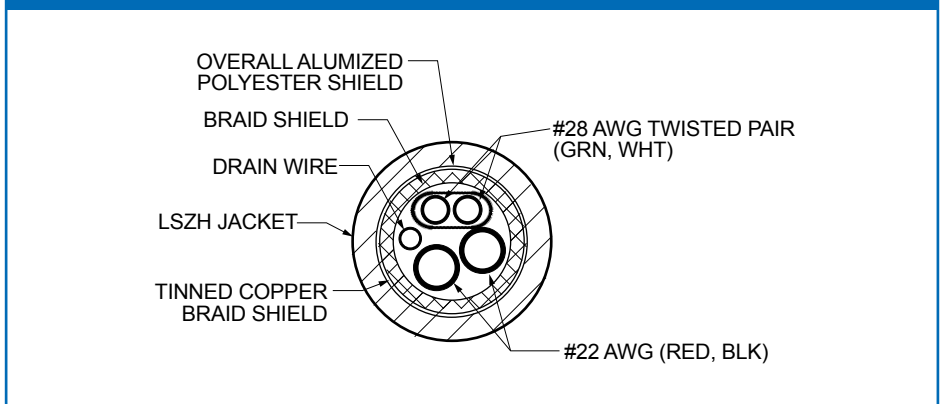
### WIRING DIAGRAM



### OPTIONAL COVER



### USB CABLE CONSTRUCTION




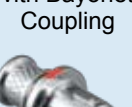
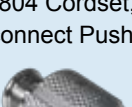


Dimensions in inches (millimeters) and are subject to change without notice.



# Series 80 Mighty Mouse USB 2.0 Cordsets

## MIGHTY MOUSE TO USB TYPE A PLUG CORDSET

Sample Part Number					
801-028	A	ZNU	N	A	-72
Connector Series	Connector Type	Shell Material / Finish	Protective Cover	Shell Pol. Pos.	Overall Length
 <b>800-036</b> Series 800 Cordset, UNF Threaded Coupling, Hex Nut	<b>A</b> Plug, with Male Pin Contacts	<b>M</b> Aluminum / Electroless Nickel	<b>P</b> Metal Protective Cover, with Lanyard (for Mighty Mouse Connector)	Polarizing position depends on the connector series.	Overall Length In Inches
 <b>801-028</b> Series 801 Cordset, Double-Start Threaded Coupling	<b>B</b> Plug, with Female Socket Contacts	<b>NF</b> Aluminum / Cadmium with Olive Drab	<b>N</b> No Covers Supplied	<b>For Series 800 and 803:</b> <b>N</b> (Normal), <b>X, Y or Z</b>	<b>18</b> <b>36</b> <b>72</b> <b>120</b>
 <b>803-011</b> Series 803 Cordset, Push-Pull With Bayonet Lock Coupling	<b>C</b> Receptacle, with Male Pin Contacts	<b>ZNU</b> Aluminum / Zinc-Nickel with Black Chromate		<b>For Series 801 and 805:</b> <b>A</b> (Normal), <b>B, C, D</b>	
 <b>804-016</b> Series 804 Cordset, Quick-Disconnect Push-Pull	<b>D</b> Receptacle, with Female Socket Contacts	<b>MT</b> Aluminum / Nickel-PTFE		<b>For Series 804:</b> <b>Omit</b> (Leave Blank) for Single Master Key	
 <b>805-012</b> Series 805 Cordset, Tri-Start Threaded Coupling with Ratchet and Ground Spring		<b>Z1</b> Stainless Steel / Passivated		<b>A</b> (Normal), <b>B, C, D</b>	

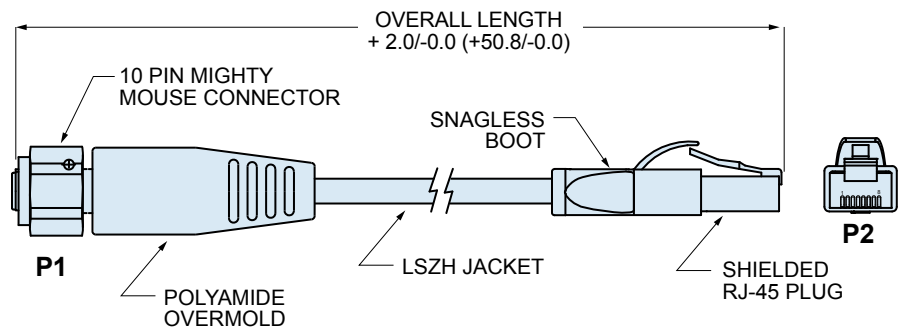
Dimensions in inches (millimeters) and are subject to change without notice.

# Series 80 Mighty Mouse Cat 5e Ethernet RJ-45 Cordsets



## Cordset, Cat 5e RJ-45 to Mighty Mouse Connector

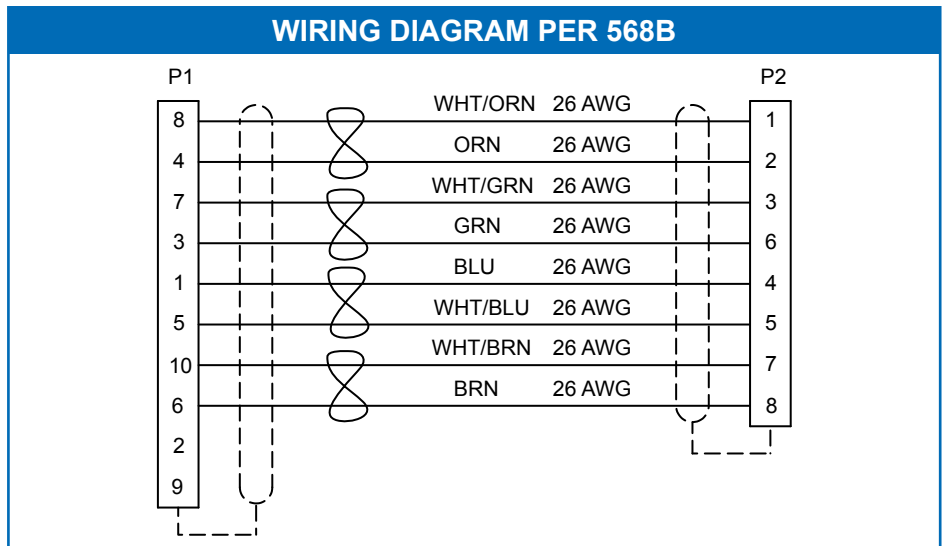
These Cat 5e cordsets have a standard shielded RJ-45 modular plug on one end and a ruggedized Mighty Mouse 10 pin plug on the other end. Low smoke zero halogen cable is UL VW-1 rated and RoHS compliant. Certified to TAI/EIA-568-B.2. Cable has four #26 twisted pairs plus tinned copper braid shield. Mighty Mouse connector is overmolded with polyamide for strain relief and ingress protection. RJ-45 plug has molded snagless boot and 50 micrinsches gold plating on contacts. 100% tested for continuity and insulation resistance. Operating temperature -20°C to +60°C.



### P1 PINOUTS

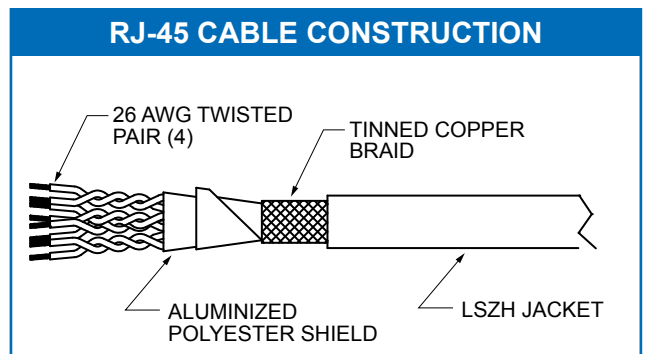
<p>PIN CONNECTOR</p>	<p>SOCKET CONNECTOR</p>
----------------------	-------------------------

### OPTIONAL COVER



### RJ-45 MATERIALS AND FINISHES

RJ-45 Housing	Polycarbonate, clear, UL94V-0
RJ-45 Contacts	Phosphor bronze, 50 μinches gold over 100 μinches Ni plating
Cable Jacket	LSZH, black
RJ-45 Shield	Brass, nickel plated
RJ-45 Boot	LSZH thermoplastic








Dimensions in inches (millimeters) and are subject to change without notice.



# Series 80 Mighty Mouse Cat 5e Ethernet RJ-45 Cordsets

## MIGHTY MOUSE TO RJ-45 ETHERNET PLUG CORDSET

Sample Part Number					
801-029	B	MT	N	A	-36
Connector Series	Connector Type P1 Mighty Mouse	Shell Material / Finish P1 Mighty Mouse	Protective Cover P1	Shell Keying Position	Overall Length
 <b>800-037</b> Series 800 Cordset, UNF Threaded Coupling, Hex Nut	<b>A</b> Plug, with Male Pin Contacts	<b>M</b> Aluminum / Electroless Nickel	<b>P</b> Metal Protective Cover, with Lanyard (for Mighty Mouse Connector)	Polarizing position depends on the connector series.	Overall Length In Inches
 <b>801-029</b> Series 801 Cordset, Double-Start Threaded Coupling	<b>B</b> Plug, with Female Socket Contacts	<b>NF</b> Aluminum / Cadmium with Olive Drab	<b>N</b> No Covers Supplied	<b>For Series 800 and 803:</b> <b>N</b> (Normal), <b>X, Y or Z</b>	<b>18</b> <b>36</b> <b>72</b> <b>120</b>
 <b>803-012</b> Series 803 Cordset, Push-Pull With Bayonet Lock Coupling	<b>C</b> Receptacle, with Male Pin Contacts	<b>ZNU</b> Aluminum / Zinc-Nickel with Black Chromate		<b>For Series 801 and 805:</b> <b>A</b> (Normal), <b>B, C, D</b>	
 <b>804-017</b> Series 804 Cordset, Quick-Disconnect Push-Pull	<b>D</b> Receptacle, with Female Socket Contacts	<b>MT</b> Aluminum / Nickel-PTFE		<b>For Series 804:</b> <b>Omit</b> (Leave Blank) for Single Master Key <b>A</b> (Normal), <b>B, C, D</b>	
 <b>805-013</b> Series 805 Cordset, Tri-Start Threaded Coupling with Ratchet and Ground Spring		<b>Z1</b> Stainless Steel / Passivated			

Dimensions in inches (millimeters) and are subject to change without notice.



Series 80 Mighty Mouse  
Backshells and Accessories  
Product Selection Guide



SECTION L SERIES 80 ACCESSORY PRODUCT SELECTION GUIDE

**Heat-Shrink Boots**  
Page L-3



**Heat-Shrink Boots**

Use heat-shrink boots for strain relief and environmental protection. These boots fit all Series 80 connectors. Available in straight or 90° versions.

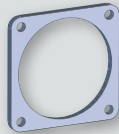
**Hex Nuts**  
Page L-6



**Hex Nuts**

Mighty Mouse jam nut receptacles are supplied with low-profile spanner nuts. Optional hex nuts are available with safety wire holes.

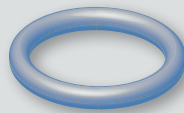
**Flange Gaskets**  
Page L-7



**Flange Gaskets**

Die-cut flange gaskets provide panel sealing for flange mount receptacles. Available in fluorosilicone, Viton® and conductive fluorosilicone.

**O-rings**  
Page L-10



**Replacement O-rings**

Replace lost or damaged O-rings. Available in fluorosilicone, EPDM and conductive fluorosilicone, these O-rings fit Mighty Mouse jam nut receptacles.

**Strain Relief Clamps**  
Page L-14



**Strain Relief Clamps**

These low profile clamps provide strain relief for wire bundles. These clamps are specially designed to minimize size and weight.

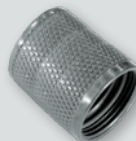
**EMI Adapters**  
Page L-16



**Thread-on EMI Adapters for BAND-IT® Shield Termination**

Available with spin coupling or direct coupling, these adapters can be ordered in various diameters and lengths. Right angle and 45° versions are available.

**Shorting Shell**  
Page L-12



**Backshell for Shorting or Switching Applications**

These direct coupled "shorting caps" are used to enclose jumper wires, resistors, or bussed wires.

**Environmental Backshells**  
Page L-20



**Environmental Backshells**

These backshells are reduced in size compared to standard Glenair Series 37 environmental backshells. Choose saddle clamp or compression nut.

**EMI Backshells**  
Page L-22



**EMI Backshells**

These backshells are reduced in size compared to standard Glenair Series 38 backshells. Choose saddle clamp or compression nut for strain relief.

Dimensions in inches (millimeters) and are subject to change without notice.

### About Accessory Thread Sizes For Series 80 Connectors

**Series 80 Connectors** accept a variety of thread-on backshells and adapters. This section contains ordering information for these fittings, arranged by thread size.

**The Accessory Thread Table** below identifies the accessory thread sizes for each Series 80 product type. Find the correct accessory thread code from this table, and use this information to identify the correct accessory part number from the following pages.

*Some Mighty Mouse sizes are compatible with MIL-DTL- 38999 Series I/II accessories.*

The table below lists the D38999 shell sizes which share the same threads with Series 80 connectors.

For example, any accessory which fits a 38999 Series II shell size 8 connector will also fit a Series 800 shell size 7 connector.

### How to Order a 38999 Accessory Compatible with Series 80 Connectors:

- 1** Find the Series 80 shell size and thread size in the Accessory Thread Table below.
- 2** Find the corresponding 38999 shell size in the right hand column of the table.
- 3** Find a suitable accessory in Glenair's catalog. Use connector designator "F" and the correct shell size from the table.

### Accessory Thread Table

Find the correct accessory thread code from this table, and use this information to identify the correct accessory part number from the following pages. Series 802 "Aqua Mouse" connectors are intended for high pressure submersible applications. The accessories in this section are not recommended for use on Series 802 connectors. Contact Glenair for information on special heavy-duty stainless steel accessories for the Series 802.

Accessory Thread	Size Code	Shell Size					
		Series 800	Series 801	Series 803	Series 804	Series 805	38999 Series II
.2500-32 UNEF	05	5	5	5	5		
.3125-32 UNEF	06	6	6	6	6		
.3750-32 UNEF	11					8	
.4375-28 UNEF	07	7	7	7	7	9	8
.5000-28 UNEF	08	8	8	8	8	10	
.5625-24 UNEF	09	9	9	9	9	11	10
.6250-24 UNEF	10	10	10	10	10	12	
.6875-24 UNEF	12	12	13	12	12		12
.7500-20 UNEF	13					15	
.9375-20 UNEF	14		16, 17	14, 15	14, 15	18, 19	16
1.1875-18 UNEF	17		21			23	20

### Using 38999 Series II Accessories with Series 80 Connectors- Some Examples

#### 1 Using a Swing Arm backshell on a Mighty Mouse connector.

Connector Part Number  
**801-008-16M9-19PA**

Shell Size 9

Shell size 9 Series 801 corresponds to shell size 10 38999 Series II. Use Connector Designator "F" and shell size 10 in the part number:

Backshell Part Number  
**319F064XO10**

Connector Designator F

Shell Size 10

#### 2 Using a TAG® Ring backshell on a Mighty Mouse connector.

Connector Part Number  
**804-002-06NF14-55P**

Shell Size 14

Shell size 14 Series 804 corresponds to shell size 16 38999 Series II. Use Connector Designator "F" and shell size "16" in the part number:

Backshell Part Number  
**400F5001NF1606L6**

Connector Designator F

Shell Size 16

Dimensions in inches (millimeters) and are subject to change without notice.

## Shrink Boots- Straight and Right Angle, for Series 80 Connectors



**Protect Your Cable Harness** with heat-shrinkable boots. These easy-to-use boots provide excellent electrical, mechanical and environmental protection. Heating the boot causes the boot to shrink onto the connector and cable. An optional adhesive lining bonds the boot to the connector and cable and fills small gaps for a complete seal. Choose straight cable exit or right angle exit. These lipped boots attach directly to Series 80 Mighty Mouse connectors with integral band platform. After shrinking, the boot lip locks into groove. Choose Type 1 high performance elastomer for extreme temperatures and excellent resistance to fuels and oils, Type 2 non-halogenated flame-retardant polyolefin for use where limited fire hazard is required.



### Material Selection Guide

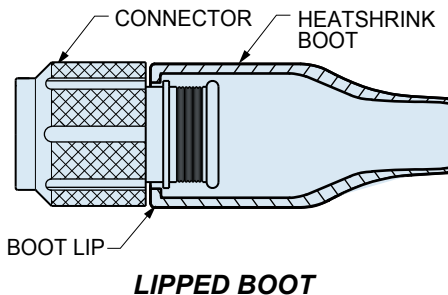
Attribute	Type 1 High Performance Semi-Rigid Elastomer	Type 2 Zero Halogen Semi-Rigid Polyolefin
Continuous Operating Temp.	-75° to +150°C	-30° to +125°C
Resistance to Fuels, Oils	Excellent	Very Good
Low Toxicity, Zero Halogen	No	Yes

### Type 1 High performance Elastomer

Semi-rigid high performance boots combine excellent resistance to fuels, oils and solvents with superior performance at extreme temperatures. Rated for 3000 hours continuous operation at +150° C, these boots fit most standard boot adapters for circular connectors. Material meets the requirements of VG95343 Type 6, BSG 198-5-DE, EN62329-102 and SAE AS5258 Type H. These boots are recommended for demanding applications such as military vehicles and petrochemical exploration. Black color.

### Type 2 Zero halogen

Halogen-free polyolefin boots meet low smoke and toxicity requirements of shipboard, transit and aircraft systems. These Low Smoke/Zero Halogen (LSZH) boots fit most standard shrink boot adapters, including M85049 types along with Glenair Series 31 and Series 44 adapters. Oxygen index greater than 30%, smoke index less than 20, and toxicity index under 3 per 100 grams. Material meets requirements of NAVSEA 5617649, VG95343 Part 29, BSG 198-5-DF, EN62329-101 and SAE AS5258 Type G. Good resistance to oils, fuels and solvents. These boots provide strain relief and environmental protection to connector/cable transitions. Temperature rating -30° to +125° C. Black color.



Dimensions in inches (millimeters) and are subject to change without notice.

### Lipped Straight Shrink Boots- Type I High Performance Elastomer

- -75° C to +150° C
- Excellent resistance to fuels, oils, solvents and heat.



Boot Size	Shell Size		Part Number
	Series 800, 801, 802, 803, 804	Series 805	Pre-Coated with W1 Hi-Temp Hot-Melt Adhesive
1	5	N/A	<b>809S060-1</b>
2	6, 7	8, 9	<b>809S060-2</b>
3	8, 9	10, 11	<b>809S060-3</b>
4	10, 12, 13	12, 15	<b>809S060-4</b>
5	14, 15, 16, 17	18, 19	<b>809S060-5</b>
6	21	23	<b>809S060-6</b>

### Lipped Straight Shrink Boots- Type 2 Zero Halogen, Semi-Rigid

- Low Smoke, Zero Halogen
- Meets U.S. and E.U. toxicity requirements.



Boot Size	Shell Size		Part Number
	Series 800, 801, 802, 803, 804	Series 805	Pre-Coated with W1 Hi-Temp Hot-Melt Adhesive
1	5	N/A	<b>809S060-1H</b>
2	6, 7	8, 9	<b>809S060-2H</b>
3	8, 9	10, 11	<b>809S060-3H</b>
4	10, 12, 13	12, 15	<b>809S060-4H</b>
5	14, 15, 16, 17	18, 19	<b>809S060-5H</b>
6	21	23	<b>809S060-6H</b>

### Lipped Right Angle Boots- Type I High Performance Elastomer

- -75° C to +150° C
- Excellent resistance to fuels, oils, solvents and heat.



Boot Size	Shell Size		Part Number
	Series 800, 801, 802, 803, 804	Series 805	Pre-Coated with W1 Hi-Temp Hot-Melt Adhesive
1*	5	N/A	<b>809A060-1</b>
2	6, 7	8, 9	<b>809A060-2</b>
3	8, 9	10, 11	<b>809A060-3</b>
4	10, 12, 13	12, 15	<b>809A060-4</b>
5	14, 15, 16, 17	18, 19	<b>809A060-5</b>
6	21	23	<b>809A060-6</b>

\* Size 1 right angle boot does not have lip. See drawing on following page.

### Lipped Right Angle Shrink Boots- Type 2 Zero Halogen, Semi-Rigid

- Low Smoke, Zero Halogen
- Meets U.S. and E.U. toxicity requirements.

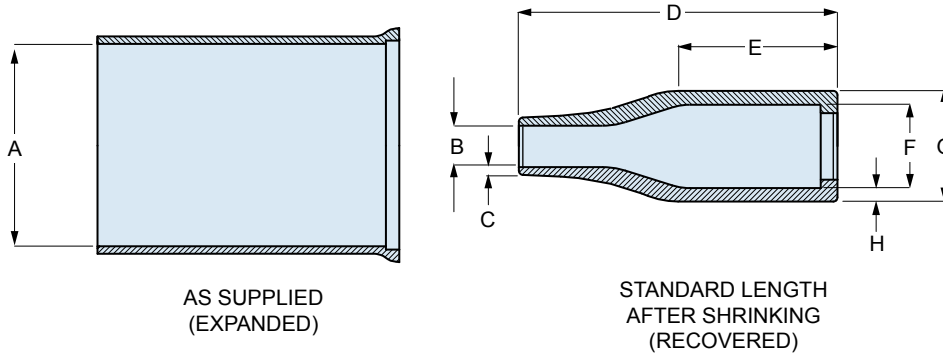


Boot Size	Shell Size		Part Number
	Series 800, 801, 802, 803, 804	Series 805	Pre-Coated with W1 Hi-Temp Hot-Melt Adhesive
1*	5	N/A	<b>809A060-1H</b>
2	6, 7	8, 9	<b>809A060-2H</b>
3	8, 9	10, 11	<b>809A060-3H</b>
4	10, 12, 13	12, 15	<b>809A060-4H</b>
5	14, 15, 16, 17	18, 19	<b>809A060-5H</b>
6	21	23	<b>809A060-6H</b>

\* Size 1 right angle boot does not have lip. See drawing on following page.

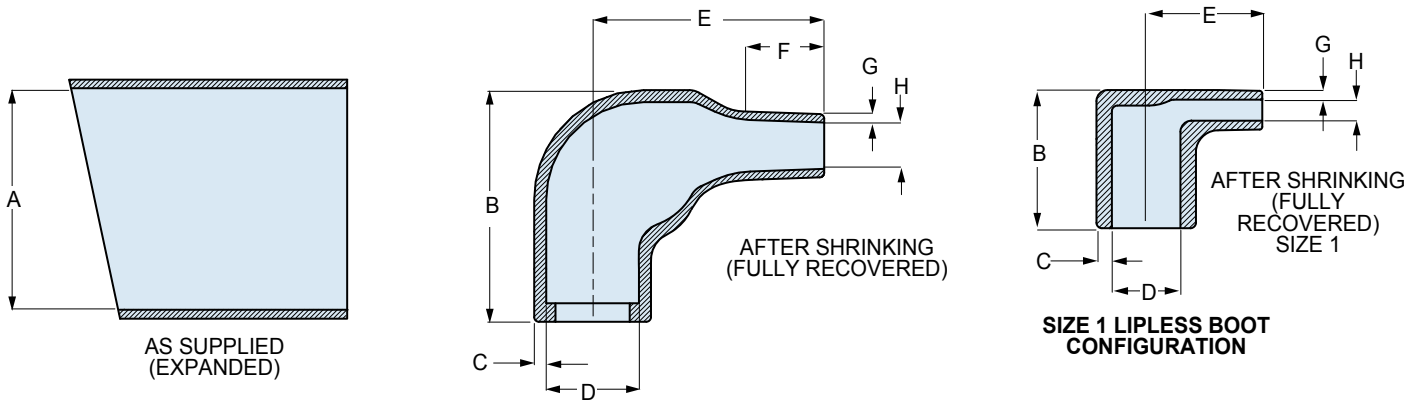
Dimensions in inches (millimeters) and are subject to change without notice.

**Lipped Straight Shrink Boots- Dimensions**



Boot Size	A Min.		B Max.		C ± 20%		D ± 10%		E Ref.		F Max.		G Ref.		H ± 30%		J ± 10%	
	In.	mm.	In.	mm.	In.	mm.	In.	mm.	In.	mm.	In.	mm.	In.	mm.	In.	mm.	In.	mm.
1	.354	9.0	.079	2.0	.028	0.7	.984	25.0	.551	14.0	.217	5.5	.295	7.5	.039	1.0	N/A	N/A
2	.669	17.0	.138	3.5	.028	0.7	1.181	30.0	.728	18.5	.276	7.0	.378	9.6	.051	1.3	N/A	N/A
3	.945	24.0	.197	5.0	.035	0.9	1.496	38.0	.748	19.0	.413	10.5	.520	13.2	.063	1.6	1.024	26.0
4	1.181	30.0	.236	6.0	.039	1.0	2.165	55.0	1.181	30.0	.551	14.0	.693	17.6	.071	1.8	1.693	43.0
5	1.260	32.0	.276	7.0	.047	1.2	2.638	67.0	1.299	33.0	.709	18.0	.850	21.6	.071	1.8	1.850	47.0
6	1.693	43.0	.394	10.0	.051	1.3	3.898	99.0	2.165	55.0	1.102	28.0	1.276	32.4	.087	2.2	3.150	80.0

**Lipped Right Angle Shrink Boots- Dimensions**



Boot Size	A Min.		B Ref.		C ± 30%		D Max.		E ± 20%		F Ref.		G ± 20%		H Max.	
	In.	mm.	In.	mm.	In.	mm.	In.	mm.	In.	mm.	In.	mm.	In.	mm.	In.	mm.
1	.354	9.0	.492	12.5	.039	1.0	.236	6.0	.413	10.5	NA	NA	.028	0.7	.079	2.0
2	.669	17.0	.787	20.0	.051	1.3	.315	8.0	.787	20.0	.276	7.0	.028	0.7	.138	3.5
3	.945	24.0	.984	25.0	.063	1.6	.394	10.0	.984	25.0	.394	10.0	.035	0.9	.197	5.0
4	1.181	30.0	1.063	27.0	.071	1.8	.532	13.5	1.260	32.0	.472	12.0	.039	1.0	.217	5.5
5	1.260	32.0	1.260	32.0	.071	1.8	.709	18.0	1.535	39.0	.591	15.0	.047	1.2	.276	7.0
6	1.693	43.0	1.850	47.0	.087	2.2	1.102	28.0	2.165	55.0	.709	18.0	.059	1.5	.394	10.0

Dimensions in inches (millimeters) and are subject to change without notice.

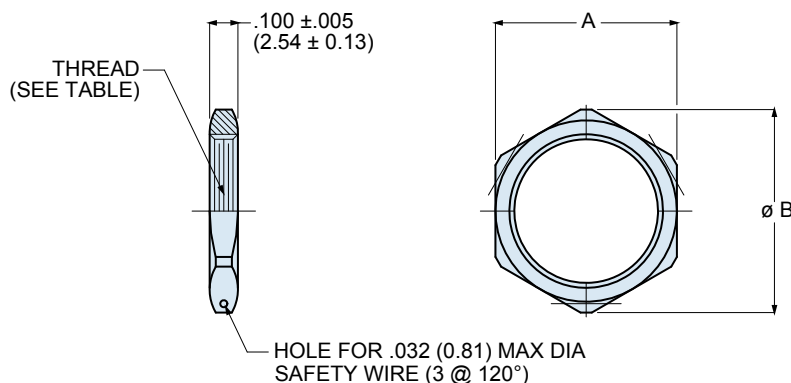
CAGE Code 06324

Printed in U.S.A.



### Hex Jam Nuts for Mighty Mouse Receptacles

Replace low-profile spanner-style jam nuts with hex nuts for applications where jam nuts must be safety-wired to prevent loosening. These hex nuts fit all standard Series 80 jam nut receptacles except for Series 803 bayonet-coupling versions. Use Glenair Modification Code 501 to specify hex nuts to be supplied with connector.



Thread Size Class 2B	Part Number						Dimensions			
	Aluminum				Stainless Steel		A Hex		B Dia.	
	Electroless Nickel	Olive Drab Cadmium	Black Zinc Nickel	Nickel-PTFE	Passivated	Black Zinc- Cobalt	In.	mm.	In.	mm.
.2500-32 UNEF	809-035M01W	809-035NF01W	809-035ZNU01W	809-035MT01W	809-035Z101W	809-035ZC01W	.375	9.53	.403	10.24
.3125-28 UN	809-035M02W	809-035NF02W	809-035ZNU02W	809-035MT02W	809-035Z102W	809-035ZC02W	.4375	11.11	.475	12.07
.3125-32 UNEF	809-035M03W	809-035NF03W	809-035ZNU03W	809-035MT03W	809-035Z103W	809-035ZC03W	.4375	11.11	.475	12.07
.3750-28 UN	809-035M04W	809-035NF04W	809-035ZNU04W	809-035MT04W	809-035Z104W	809-035ZC04W	.500	12.70	.547	13.89
.4375-28 UNEF	809-035M05W	809-035NF05W	809-035ZNU05W	809-035MT05W	809-035Z105W	809-035ZC05W	.5625	14.29	.620	15.75
.5625-24 UNEF	809-035M06W	809-035NF06W	809-035ZNU06W	809-035MT06W	809-035Z106W	809-035ZC06W	.6875	17.46	.755	19.18
.5625-28 UNEF	809-035M16W	809-035NF16W	809-035ZNU16W	809-035MT16W	809-035Z116W	809-035ZC16W	.6875	17.46	.755	19.18
.5625-32 UN	809-035M07W	809-035NF07W	809-035ZNU07W	809-035MT07W	809-035Z107W	809-035ZC07W	.6875	17.46	.755	19.18
.6250-28 UN	809-035M08W	809-035NF08W	809-035ZNU08W	809-035MT08W	809-035Z108W	809-035ZC08W	.750	19.05	.830	21.08
.6875-28 UN	809-035M09W	809-035NF09W	809-035ZNU09W	809-035MT09W	809-035Z109W	809-035ZC09W	.8125	20.64	.898	22.81
.7500-28 UN	809-035M10W	809-035NF10W	809-035ZNU10W	809-035MT10W	809-035Z110W	809-035ZC10W	.875	22.23	.970	24.64
.8125-28 UN	809-035M17W	809-035NF17W	809-035ZNU17W	809-035MT17W	809-035Z117W	809-035ZC17W	.9375	23.81	1.030	26.16
.8750-28 UN	809-035M11W	809-035NF11W	809-035ZNU11W	809-035MT11W	809-035Z111W	809-035ZC11W	1.000	25.40	1.078	27.38
.9375-20 UNEF	809-035M12W	809-035NF12W	809-035ZNU12W	809-035MT12W	809-035Z112W	809-035ZC12W	1.0625	26.99	1.187	30.15
.9375-28 UN	809-035M13W	809-035NF13W	809-035ZNU13W	809-035MT13W	809-035Z113W	809-035ZC13W	1.0625	26.99	1.187	30.15
1.0000-28 UN	809-035M18W	809-035NF18W	809-035ZNU18W	809-035MT18W	809-035Z118W	809-035ZC18W	1.125	28.58	1.200	30.48
1.0625-20 UN	809-035M14W	809-035NF14W	809-035ZNU14W	809-035MT14W	809-035Z114W	809-035ZC14W	1.1875	30.16	1.264	32.11
1.1250-28 UN	809-035M15W	809-035NF15W	809-035ZNU15W	809-035MT15W	809-035Z115W	809-035ZC15W	1.250	31.75	1.325	33.66
1.1875-28 UN	809-035M19W	809-035NF19W	809-035ZNU19W	809-035MT19W	809-035Z119W	809-035ZC19W	1.3125	33.34	1.415	35.94
1.2500-28 UN	809-035M20W	809-035NF20W	809-035ZNU20W	809-035MT20W	809-035Z120W	809-035ZC20W	1.375	34.93	1.490	37.85
1.5000-28 UN	809-035M21W	809-035NF21W	809-035ZNU21W	809-035MT21W	809-035Z121W	809-035ZC21W	1.625	41.28	1.750	44.45

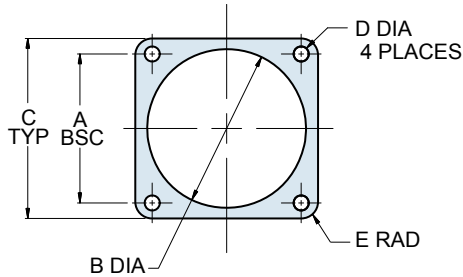
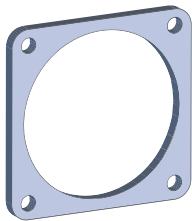
Dimensions in inches (millimeters) and are subject to change without notice.



Series 80 Mighty Mouse  
Backshells and Accessories  
Flange Gaskets 809-108



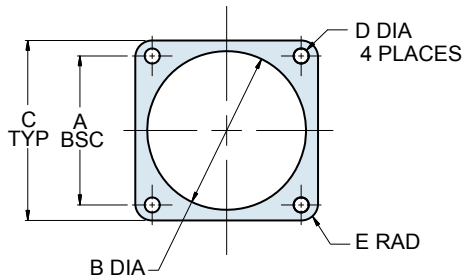
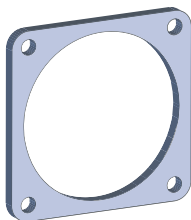
**Flange Gaskets for Series 800 Mighty Mouse Receptacles**



These flange gaskets provide sealing between square flange receptacles and the mounting panel. Choose fluorosilicone, Viton®, or conductive fluorosilicone material (Chomerics 1298 silver-filled). Gaskets are .032" (0.8) thick.

Shell Size	Part Number			Dimensions									
	Fluorosilicone	Viton®	Conductive Fluorosilicone	A Bsc.		B Dia.		C Typ.		D Dia.		E Rad.	
				In.	mm.	In.	mm.	In.	mm.	In.	mm.	In.	mm.
5	809-108F01	809-108V01	809-108X01	.363	9.22	.342	8.69	.527	13.39	.093	2.36	.078	1.98
6	809-108F02	809-108V02	809-108X02	.423	10.74	.405	10.29	.588	14.94	.093	2.36	.078	1.98
7	809-108F03	809-108V03	809-108X03	.483	12.27	.467	11.86	.650	16.51	.125	3.18	.078	1.98
8	809-108F04	809-108V04	809-108X04	.542	13.77	.530	13.46	.709	18.01	.125	3.18	.078	1.98
9	809-108F05	809-108V05	809-108X05	.719	18.26	.593	15.06	.938	23.83	.125	3.18	.105	2.67
10	809-108F06	809-108V06	809-108X06	.719	18.26	.655	16.64	.938	23.83	.125	3.18	.105	2.67
12	809-108F07	809-108V07	809-108X07	.812	20.62	.780	19.81	1.031	26.19	.125	3.18	.105	2.67

**Flange Gaskets for Series 801 Mighty Mouse Receptacles**

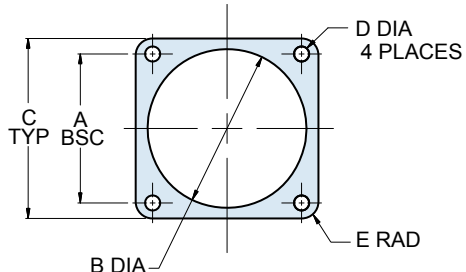
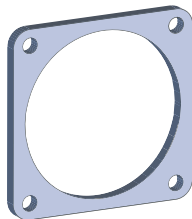


These flange gaskets provide sealing between square flange receptacles and the mounting panel. Choose fluorosilicone, Viton®, or conductive fluorosilicone material (Chomerics 1298 silver-filled). Gaskets are .032" (0.8) thick.

Shell Size	Part Number			Dimensions									
	Fluorosilicone	Viton®	Conductive Fluorosilicone	A Bsc.		B Dia.		C Typ.		D Dia.		E Rad.	
				In.	mm.	In.	mm.	In.	mm.	In.	mm.	In.	mm.
5	809-108F11	809-108V11	809-108X11	.363	9.22	.342	8.69	.530	13.46	.093	2.36	.078	1.98
6	809-108F12	809-108V12	809-108X12	.423	10.74	.405	10.29	.590	14.99	.093	2.36	.078	1.98
7	809-108F13	809-108V13	809-108X13	.483	12.27	.467	11.86	.650	16.51	.093	2.36	.078	1.98
8	809-108F14	809-108V14	809-108X14	.545	13.84	.530	13.46	.712	18.08	.093	2.36	.078	1.98
9	809-108F16	809-108V16	809-108X16	.607	15.42	.560	14.22	.850	21.59	.125	3.18	.105	2.67
10	809-108F15	809-108V15	809-108X15	.670	17.02	.655	16.64	.890	22.61	.125	3.18	.105	2.67
13	809-108F17	809-108V17	809-108X17	.812	20.62	.842	21.39	1.030	26.16	.125	3.18	.105	2.67
16	809-108F18	809-108V18	809-108X18	.981	24.92	1.030	26.16	1.219	30.96	.125	3.18	.105	2.67
17	809-108F19	809-108V19	809-108X19	.812	20.62	1.092	27.74	1.280	32.51	.125	3.18	.105	2.67
21	809-108F43	809-108V43	809-108X43	1.322	33.58	1.332	33.83	1.570	39.88	.125	3.18	.105	2.67

Dimensions in inches (millimeters) and are subject to change without notice.

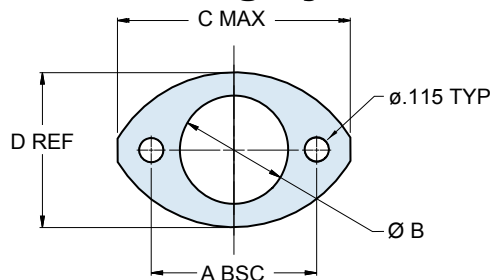
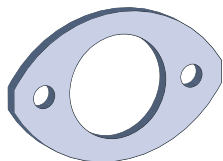
### Flange Gaskets for Series 802 Mighty Mouse Receptacles



These flange gaskets provide sealing between square flange receptacles and the mounting panel. Choose fluorosilicone, Viton, or neoprene material. Gaskets are .032" (0.8) thick.

Shell Size	Part Number			Dimensions									
	Fluorosilicone	Viton®	Neoprene	A Bsc.		B Dia.		C Typ.		D Dia.		E Rad.	
				In.	mm.	In.	mm.	In.	mm.	In.	mm.	In.	mm.
5	809-108F51	809-108V51	809-108N51	.500	12.70	.448	11.38	.885	22.48	.125	3.18	.105	2.67
6	809-108F52	809-108V52	809-108N52	.625	15.88	.572	14.53	1.010	25.65	.125	3.18	.105	2.67
7	809-108F53	809-108V53	809-108N53	.688	17.48	.635	16.13	1.072	27.23	.125	3.18	.105	2.67
8	809-108F54	809-108V54	809-108N54	.750	19.05	.698	17.73	1.135	28.83	.125	3.18	.105	2.67
9	809-108F55	809-108V55	809-108N55	.812	20.62	.760	19.30	1.195	30.35	.125	3.18	.105	2.67
10	809-108F56	809-108V56	809-108N56	.875	22.23	.822	20.88	1.260	32.00	.125	3.18	.105	2.67
12	809-108F57	809-108V57	809-108N57	.938	23.83	.885	22.48	1.323	33.60	.125	3.18	.105	2.67
14	809-108F58	809-108V58	809-108N58	1.125	28.58	1.072	27.23	1.510	38.35	.125	3.18	.105	2.67
15	809-108F59	809-108V59	809-108N59	1.188	30.18	1.135	28.83	1.573	39.95	.125	3.18	.105	2.67
21	809-108F60	809-108V60	809-108N60	1.375	34.93	1.448	36.78	1.760	44.70	.125	3.18	.105	2.67

### Flange Gaskets for Series 803 Mighty Mouse Receptacles



These flange gaskets provide sealing between elliptical flange receptacles and the mounting panel. Choose fluorosilicone, Viton®, or conductive fluorosilicone material (Chomerics 1298 silver-filled). Gaskets are .032" (0.8) thick.

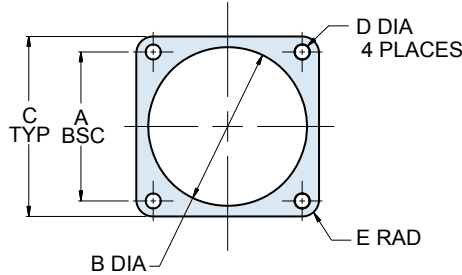
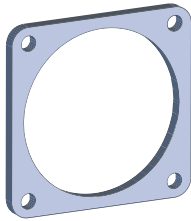
Shell Size	Part Number			Dimensions							
	Fluorosilicone	Viton®	Conductive Fluorosilicone	A Bsc.		B Dia.		C Max.		D Ref.	
				In.	mm.	In.	mm.	In.	mm.	In.	mm.
5	809-108F31	809-108V31	809-108X31	.513	13.03	.345	8.00	.710	18.03	.460	11.68
6	809-108F32	809-108V32	809-108X32	.598	15.19	.405	10.29	.795	20.19	.522	13.26
7	809-108F33	809-108V33	809-108X33	.708	17.98	.475	12.07	.900	22.86	.590	14.99
8	809-108F34	809-108V34	809-108X34	.964	24.51	.545	13.84	1.160	29.46	.670	17.02
9	809-108F35	809-108V35	809-108X35	1.017	25.83	.605	15.37	1.215	30.86	.721	18.31
10	809-108F36	809-108V36	809-108X36	1.101	27.97	.682	17.32	1.295	32.89	.795	20.19
12	809-108F37	809-108V37	809-108X37	1.204	30.58	.757	19.23	1.400	35.56	.874	22.20
14	809-108F38	809-108V38	809-108X38	1.280	32.51	.910	23.11	1.555	39.50	1.050	26.67
15	809-108F39	809-108V39	809-108X39	1.370	34.80	.970	24.64	1.640	41.66	1.150	29.21

Dimensions in inches (millimeters) and are subject to change without notice.

Series 80 Mighty Mouse  
Backshells and Accessories  
Flange Gaskets 809-108



**Flange Gaskets for Series 805 Mighty Mouse Receptacles**



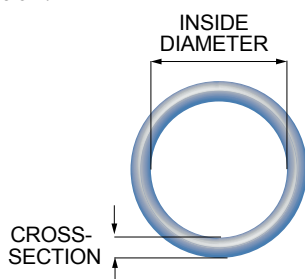
These flange gaskets provide sealing between square flange receptacles and the mounting panel. Choose fluorosilicone, Viton®, or conductive fluorosilicone material (Chomerics 1298 silver-filled). Gaskets are .032" (0.8) thick.

Shell Size	Part Number			Dimensions									
	Fluorosilicone	Viton®	Conductive Fluorosilicone	A Bsc.		B Dia.		C Typ.		D Dia.		E Rad.	
				In.	mm.	In.	mm.	In.	mm.	In.	mm.	In.	mm.
8	<a href="#">809-108F20</a>	<a href="#">809-108V20</a>	<a href="#">809-108X20</a>	.660	16.76	.530	13.46	.850	21.59	.093	2.36	.078	1.98
9	<a href="#">809-108F21</a>	<a href="#">809-108V21</a>	<a href="#">809-108X21</a>	.723	18.36	.590	14.99	.913	23.19	.093	2.36	.078	1.98
10	<a href="#">809-108F22</a>	<a href="#">809-108V22</a>	<a href="#">809-108X22</a>	.785	19.94	.660	16.76	.975	24.77	.093	2.36	.078	1.98
11	<a href="#">809-108F23</a>	<a href="#">809-108V23</a>	<a href="#">809-108X23</a>	.848	21.54	.720	18.29	1.039	26.39	.093	2.36	.078	1.98
12	<a href="#">809-108F24</a>	<a href="#">809-108V24</a>	<a href="#">809-108X24</a>	.909	23.09	.780	19.81	1.099	27.91	.093	2.36	.078	1.98
15	<a href="#">809-108F25</a>	<a href="#">809-108V25</a>	<a href="#">809-108X25</a>	1.058	26.87	.970	24.64	1.288	32.72	.125	3.18	.105	2.67
18	<a href="#">809-108F26</a>	<a href="#">809-108V26</a>	<a href="#">809-108X26</a>	1.255	31.88	1.160	29.46	1.475	37.47	.125	3.18	.105	2.67
19	<a href="#">809-108F27</a>	<a href="#">809-108V27</a>	<a href="#">809-108X27</a>	1.327	33.71	1.220	30.99	1.537	39.04	.125	3.18	.105	2.67
23	<a href="#">809-108F28</a>	<a href="#">809-108V28</a>	<a href="#">809-108X28</a>	1.570	39.88	1.458	37.03	1.797	45.64	.125	3.18	.105	2.67

Dimensions in inches (millimeters) and are subject to change without notice.

## O-Rings for Mighty Mouse Jam Nut Receptacles

Replace lost or damaged O-rings with standard fluorosilicone O-rings. Or, choose EPDM o-rings for improved resistance to hydraulic fluids. Upgrade to silver-filled conductive O-rings for improved EMI protection.



### O-rings for Series 800 Jam Nut Receptacles

Shell Size	Part Number				Dimensions			
	Fluoro-silicone	EPDM	Conductive Silicone Cho-Seal 1285	Conductive Fluorosilicone Cho-Seal 1298	Inside Diameter		Cross-Section	
					In.	mm.	In.	mm.
5	809-067-05F	809-067-05E	249-003-800-05B	249-003-800-05C	.364	9.25	.045	1.14
6	809-067-06F	809-067-06E	249-003-800-06B	249-003-800-06C	.426	10.82	.050	1.27
7	809-067-07F	809-067-07E	249-003-800-07B	249-003-800-07C	.489	12.42	.055	1.40
8	809-067-08F	809-067-08E	249-003-800-08B	249-003-800-08C	.588	14.94	.051	1.30
9	809-067-09F	809-067-09E	249-003-800-09B	249-003-800-09C	.614	15.60	.070	1.78
10	809-067-10F	809-067-10E	249-003-800-10B	249-003-800-10C	.709	18.01	.079	2.01
12	809-067-12F	809-067-12E	249-003-800-12B	249-003-800-12C	.801	20.35	.070	1.78

### O-rings for Series 801 Jam Nut Receptacles

Shell Size	Part Number				Dimensions			
	Fluoro-silicone	EPDM	Conductive Silicone Cho-Seal 1285	Conductive Fluorosilicone Cho-Seal 1298	Inside Diameter		Cross-Section	
					In.	mm.	In.	mm.
5	809-054-05F	809-054-05E	249-003-801-05B	249-003-801-05C	.394	10.01	.047	1.19
6	809-054-06F	809-054-06E	249-003-801-06B	249-003-801-06C	.459	11.66	.049	1.24
7	809-054-07F	809-054-07E	249-003-801-07B	249-003-801-07C	.578	14.68	.040	1.02
8	809-054-08F	809-054-08E	249-003-801-08B	249-003-801-08C	.578	14.68	.040	1.02
9	809-054-09F	809-054-09E	249-003-801-09B	249-003-801-09C	.650	16.51	.045	1.14
10	809-054-10F	809-054-10E	249-003-801-10B	249-003-801-10C	.709	18.01	.043	1.09
13	809-054-13F	809-054-13E	249-003-801-13B	249-003-801-13C	.894	22.71	.047	1.19
16	809-054-16F	809-054-16E	249-003-801-16B	249-003-801-16C	1.086	27.58	.040	1.02
17	809-054-17F	809-054-17E	249-003-801-17B	249-003-801-17C	1.142	29.01	.043	1.09
21	809-054-21F	809-054-21E	249-003-801-21B	249-003-801-21C				

### O-rings for Series 804 Rear Mount Jam Nut Receptacles (Style 07)

Shell Size	Part Number				Dimensions			
	Fluoro-silicone	EPDM	Conductive Silicone Cho-Seal 1285	Conductive Fluorosilicone Cho-Seal 1298	Inside Diameter		Cross-Section	
					In.	mm.	In.	mm.
5	809-055-05F	809-055-05E	249-003-804-05B	249-003-804-05C	.505	12.83	.070	1.78
6	809-055-06F	809-055-06E	249-003-804-06B	249-003-804-06C	.525	13.34	.071	1.80
7	809-055-07F	809-055-07E	249-003-804-07B	249-003-804-07C	.638	16.21	.073	1.85
8	809-055-08F	809-055-08E	249-003-804-08B	249-003-804-08C	.688	17.48	.070	1.78
9	809-055-09F	809-055-09E	249-003-804-09B	249-003-804-09C	.750	19.05	.070	1.78
10	809-055-10F	809-055-10E	249-003-804-10B	249-003-804-10C	.813	20.65	.063	1.60
12	809-055-12F	809-055-12E	249-003-804-12B	249-003-804-12C	.943	23.95	.070	1.78
14	809-055-14F	809-055-14E	249-003-804-14B	249-003-804-14C	1.061	26.95	.073	1.85
15	809-055-15F	809-055-15E	249-003-804-15B	249-003-804-15C	1.114	28.30	.070	1.78

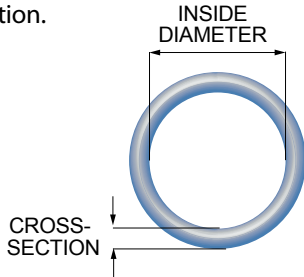
Dimensions in inches (millimeters) and are subject to change without notice.

# Series 80 Mighty Mouse Replacement O-Rings For Jam Nut Receptacles



## O-Rings for Mighty Mouse Jam Nut Receptacles

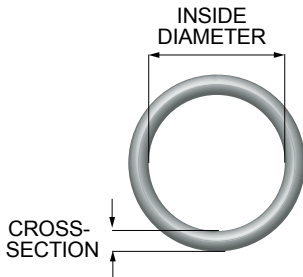
Replace lost or damaged O-rings with standard fluorosilicone O-rings. Or, choose EPDM o-rings for improved resistance to hydraulic fluids. Upgrade to silver-filled conductive O-rings for improved EMI protection.



### O-rings for Series 805 Jam Nut Receptacles

Shell Size	Part Number				Dimensions			
	Fluoro-silicone	EPDM	Conductive Silicone Cho-Seal 1285	Conductive Fluorosilicone Cho-Seal 1298	Inside Diameter		Cross-Section	
					In.	mm.	In.	mm.
8	809-150-08F	809-150-08E	249-003-805-08B	249-003-805-08C	.578	14.68	.040	1.02
9	809-150-09F	809-150-09E	249-003-805-09B	249-003-805-09C	.709	18.01	.045	1.14
10	809-150-10F	809-150-10E	249-003-805-10B	249-003-805-10C	.709	18.01	.045	1.14
11	809-150-11F	809-150-11E	249-003-805-11B	249-003-805-11C	.780	19.81	.047	1.19
12	809-150-12F	809-150-12E	249-003-805-12B	249-003-805-12C	.894	22.71	.047	1.19
15	809-150-15F	809-150-15E	249-003-805-15B	249-003-805-15C	1.024	26.01	.047	1.19
18	809-150-18F	809-150-18E	249-003-805-18B	249-003-805-18C	1.201	30.51	.047	1.19
19	809-150-19F	809-150-19E	249-003-805-19B	249-003-805-19C	1.257	31.93	.047	1.19
23	809-150-23F	809-150-23E	249-003-805-23B	249-003-805-23C	1.530	38.86	.047	1.19

These Viton® O-rings fit Series 802 "AquaMouse" rear panel mount jam nut connector flanges.



### O-rings for Series 802 Rear Mount Jam Nut Receptacles (Style 07)

Shell Size	Part Number Viton®	Dimensions			
		Inside Diameter		Cross-Section	
		In.	mm.	In.	mm.
5	809-165-05	.550	13.97	.070	1.78
6	809-165-06	.670	17.02	.070	1.78
7	809-165-07	.730	18.54	.070	1.78
8	809-165-08	.800	20.32	.070	1.78
9	809-165-09	.860	21.84	.070	1.78
10	809-165-10	.930	23.62	.070	1.78
12	809-165-12	.990	25.15	.070	1.78
14	809-165-14	1.170	29.72	.070	1.78
15	809-165-15	1.239	31.47	.070	1.78
21	809-165-21	1.614	41.00	.070	1.78

Dimensions in inches (millimeters) and are subject to change without notice.

## Series 80 Mighty Mouse Shorting Cap Backshell Ordering Information

### 340MS026



**Shorting Applications** — These caps are used to cover up exposed wires on the back of a shorting connector. Shorting connectors are used to protect critical circuits from static discharge.


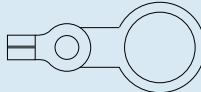
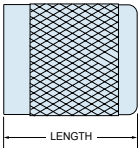
Plugs can also re-route circuits in **Switching** applications. Or, resistors and active electronics can be installed. Whatever the application, a shorting cap is a simple way to cover up the back end of the connector.

#### MATERIALS

Cap	Aluminum Alloy 6061-T6 or 300 Series Stainless Steel
O-Ring	Silicone Rubber
Hardware	300 Series Stainless Steel

#### HOW TO ORDER

##### Sample Part Number

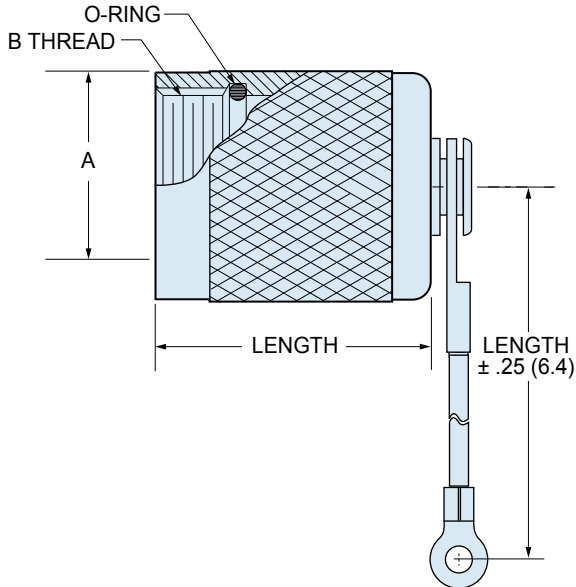
340MS026	M	G	07	-4	02	-6				
Series	Shell Material / Finish	Attachment Type	Size Code	Overall Length	Attachment Code	Attachment Length in Inches				
<b>340MS026</b> Shorting Cap Backshell	<b>C</b> Aluminum / Black Anodize (Non-Conductive) RoHS Compliant <b>M</b> Aluminum / Electroless Nickel RoHS Compliant <b>NF</b> Aluminum / Cadmium with Olive Drab Chromate <b>ZN</b> Aluminum / Zinc- Nickel with Olive Drab Chromate <b>ZNU</b> Aluminum / Zinc-Nickel with Black Chromate <b>MT</b> Aluminum / Nickel- PTFE RoHS Compliant <b>Z1</b> Stainless Steel / Passivated RoHS Compliant	<b>G</b> Nylon Rope <b>H</b> SST Wire Rope, Teflon® Jacket <b>N</b> No Attachment <b>S</b> SST Sash Chain <b>SK</b> Nylon Rope With Slip Knot <b>U</b> SST Wire Rope, Polyurethane Jacket	<b>05</b> – .2500-32 <b>06</b> – .3125-32 <b>11</b> – .3750-32 <b>07</b> – .4375-28 <b>08</b> – .5000-28 <b>09</b> – .5625-24 <b>10</b> – .6250-24 <b>12</b> – .6875-24 <b>13</b> – .7500-20 <b>14</b> – .9375-24 <b>17</b> – 1.1875-18	<b>-4</b> – .50 (12.7) <b>-5</b> – .75 (19.1) <b>-6</b> – 1.00 (25.4) <b>-7</b> – 1.25 (31.8) <b>-8</b> – 1.50 (38.1) <b>-9</b> – 1.75 (44.5) <b>-10</b> – 2.00 (50.8) <b>-11</b> – 2.25 (57.2) <b>-12</b> – 2.50 (63.5) <b>-13</b> – 2.75 (69.9) <b>-14</b> – 3.00 (76.2)	Omit for attachment Type N (No Attachment)   Small Ring <b>01</b> – .126 (3.20) I.D. <b>02</b> – .145 (3.68) I.D. <b>04</b> – .188 (4.78) I.D. <b>06</b> – .197 (5.00) I.D.   Large Ring <b>14</b> – .385 (9.78) I.D. <b>15</b> – .445 (11.30) I.D. <b>16</b> – .570 (14.48) I.D. <b>17</b> – .635 (16.13) I.D. <b>18</b> – .695 (17.65) I.D. <b>19</b> – .885 (22.48) I.D. <b>20</b> – 1.070 (27.17) I.D. <b>21</b> – 1.135 (28.83) I.D. <b>22</b> – 1.210 (30.73) I.D.	Omit for attachment Type N (No Attachment)  <b>Example</b> "-6" equals six inch length				
										

Dimensions in inches (millimeters) and are subject to change without notice.

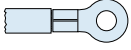
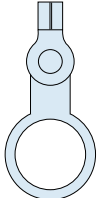



# Series 80 Mighty Mouse Shorting Cap Backshell Dimensions

340MS026



## ATTACHMENT OPTIONS

	Dia. Code	Ring I.D.		Ring O.D.	
		In.	mm.	In.	mm.
		±.005	±0.13	Max.	Max.
 <p>Small Ring for Attaching to a Panel with a Screw</p>	01	.126	3.20	.31	7.9
	02	.145	3.68	.31	7.9
	04	.188	4.78	.31	7.9
	06	.197	5.00	.31	7.9
 <p>Large Solid Ring for Attaching to a Jam Nut Receptacle</p>		Ring I.D.		Ring O.D.	
		In.	mm.	In.	mm.
		±.010	±0.25	±.015	±0.38
	14	.385	9.78	.510	12.95
	15	.445	11.30	.565	14.35
	16	.570	14.48	.685	17.40
	17	.635	16.13	.760	19.30
	18	.695	17.65	.820	20.82
	19	.885	22.48	1.010	25.65
	20	1.070	27.17	1.195	30.35
21	1.135	28.83	1.250	31.75	
22	1.210	30.73	1.312	33.32	
 <p>Nylon Rope With Slip Knot (SK) for Attaching Covers to Cable</p>	-55° to +100°C., black, very flexible, very good abrasion resistance, good resistance to fuels, .120" (3mm) diameter. Length includes .5" (13mm) diameter loop.				

## DIMENSIONS

Size Code	Ø A Max.		B Threads
	In.	mm.	
05	.350	8.89	.250-32 UNEF-2B
06	.415	10.54	.3125-32 UNEF-2B
11	.465	11.81	.3750-32 UNEF-2B
07	.530	13.46	.4375-28 UNEF-2B
08	.595	14.35	.5000-28 UNEF-2B
09	.650	16.51	.5625-24 UNEF-2B
10	.715	18.16	.6250-24 UNEF-2B
12	.785	19.94	.6875-24 UNEF-2B
13	.830	21.08	.7500-20 UNEF-2B
14	1.020	25.91	.9375-20 UNEF-2B
17	1.270	32.26	1.1875-18 UNEF-2B

## LANYARD OPTIONS

 <p>Nylon Rope (G)</p>	-55° to +100°C., black, very flexible, very good abrasion resistance, good resistance to fuels, .120" (3mm) diameter
 <p>Polyurethane Coated Wire Rope (U)</p>	Black polyurethane over stainless steel rope, -55° to +125°C., very flexible, excellent abrasion resistance, excellent resistance to fuels, .080" (2mm) diameter
 <p>Teflon Jacketed Wire Rope (H)</p>	Translucent FEP jacket over stainless steel, -55° to +200°C., fair flexibility, good abrasion resistance, .100" diameter
 <p>Sash Chain (S)</p>	Stainless steel, #8 chain, .240" (6mm)

Dimensions in inches (millimeters) and are subject to change without notice.

## Series 80 Mighty Mouse Strain Relief Clamp Ordering Information

### 620MS064 and 620MS065



These clamps provide strain relief to open wire bundles. Add tubing or tape to build up smaller diameter wires to fit the clamps.

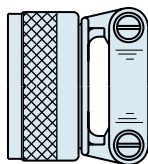
Straight Entry clamps are available with **Rotatable Coupling**. Or, save space with lower profile **Direct Coupling** versions.

#### MATERIALS

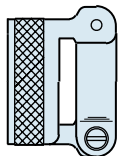
Nut, Clamp, and Saddles	Aluminum Alloy 6061-T6 or 300 Series SST
Hardware	300 Series Stainless Steel

#### HOW TO ORDER

##### Sample Part Number

**620MS064**
**M**
**07**
**Part Number**
**Shell Material / Finish**
**Size Code**

**620MS065**

Rotatable Coupling


**620MS064**

Direct Coupling

**C**  
Aluminum / Black Anodize  
(Non-Conductive)  
RoHS Compliant

**M**  
Aluminum / Electroless Nickel  
RoHS Compliant

**NF**  
Aluminum / Cadmium with Olive  
Drab Chromate

**ZN**  
Aluminum / Zinc-Nickel with  
Olive Drab Chromate

**UCR**  
Aluminum / Zinc-Cobalt with  
Black Chromate  
RoHS Compliant

**ZNU**  
Aluminum / Zinc-Nickel with  
Black Chromate

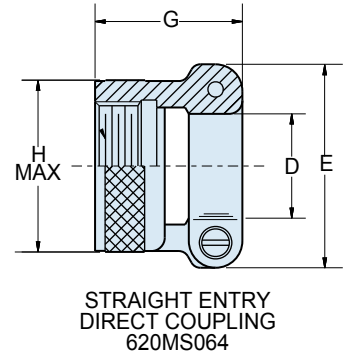
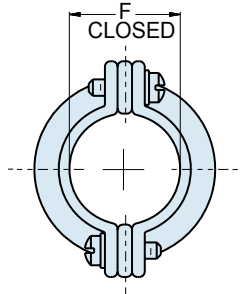
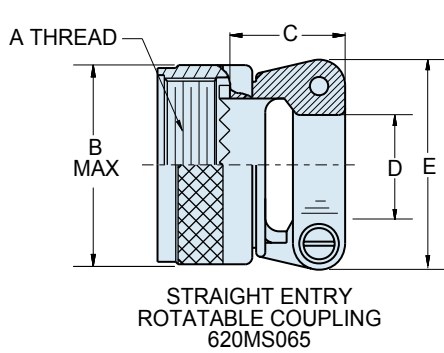
**MT**  
Aluminum / Nickel-PTFE  
RoHS Compliant

**Z1**  
Stainless Steel / Passivated  
RoHS Compliant

Size Code	Thread Size	Cable Entry Diameter	Shell Size	
			Series 800, 801, 803, 804	Series 805
<b>05</b>	.2500-32 UNEF	.11	5	
<b>06</b>	.3125-32 UNEF	.17	6	
<b>11</b>	.3750-32 UNEF	.17		8
<b>07</b>	.4375-28 UNEF	.23	7	9
<b>08</b>	.5000-28 UNEF	.30	8	10
<b>09</b>	.5625-24 UNEF	.30	9	11
<b>10</b>	.6250-24 UNEF	.36	10	12
<b>12</b>	.6875-24 UNEF	.42	12, 13	
<b>13</b>	.7500-20 UNEF	.42		15
<b>14</b>	.9375-20 UNEF	.48	14, 15, 16, 17	18, 19
<b>15</b>	.9375-20 UNEF	.61	14, 15, 16, 17	18, 19
<b>17</b>	1.1875-18 UNEF	.86	21	23

Dimensions in inches (millimeters) and are subject to change without notice.

# Series 80 Mighty Mouse Strain Relief Clamp Dimensions 620MS064 and 620MS065



## DIMENSIONS

Size Code	A Threads	B Max.		C Max.		Ø D		E		F		G Max.		H Max.	
		In.	mm.	In.	mm.	± .015	± 0.38	± .015	± 0.38	± .030	± 0.76	In.	mm.	In.	mm.
05	.2500-32 UNEF-2B	.470	11.94	.688	17.48	.119	3.02	.496	12.60	.110	2.79	.625	15.88	.350	8.89
06	.3125-32 UNEF-2B	.530	13.46	.688	17.48	.182	4.62	.582	14.78	.170	4.32	.625	15.88	.415	10.54
11	.375-32 UNEF-2B	.570	14.48	.688	17.48	.182	4.62	.582	14.78	.170	4.32	.625	15.88	.465	11.81
07	.4375-28 UNEF-2B	.637	16.18	.688	17.48	.244	6.20	.656	16.66	.230	5.08	.688	17.48	.530	13.46
08	.5000-28 UNEF-2B	.700	17.78	.688	17.48	.307	7.80	.726	18.44	.300	7.62	.688	17.48	.595	15.11
09	.5625-24 UNEF-2B	.758	19.25	.750	19.05	.307	7.80	.726	18.44	.300	7.62	.750	19.05	.650	16.51
10	.6250-24 UNEF-2B	.819	20.80	.750	19.05	.369	9.37	.885	22.48	.360	9.14	.875	22.23	.715	18.16
12	.6875-24 UNEF-2B	.896	22.76	.750	19.05	.432	10.97	.952	24.18	.420	10.67	.875	22.23	.785	19.94
13	.750-20 UNEF-2B	.930	23.62	.750	19.05	.432	10.97	.952	24.18	.420	10.67	.875	22.23	.830	21.08
14	.9375-20 UNEF-2B	1.137	28.88	.750	19.05	.494	12.55	1.018	25.86	.480	12.19	1.000	25.40	1.020	25.91
15	.9375-20 UNEF-2B	1.137	28.88	.750	19.05	.619	15.72	1.148	29.16	.610	15.49	1.000	25.40	1.020	25.91
17	1.1875-18 UNEF-2B	1.397	35.48	.750	19.05	.869	22.07	1.400	35.56	.860	21.84	1.125	28.58	1.280	32.51

Dimensions in inches (millimeters) and are subject to change without notice.





## Series 80 Mighty Mouse Thread-On BAND-IT® Adapter Ordering Information

440MS135, 440MK135 and 440ML135



**BAND-IT® Strap**  
Microband 600-057-1



### Installed

Add a boot or overmold for environmental protection

These thread-on adapters are used with **BAND-IT® micro band** shield termination straps. Choose the smallest cable entry for your wire bundle. **Straight Entry** adapters are available in various lengths. **45° and 90°** adapters feature rotatable coupling nuts.

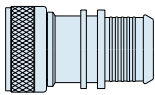
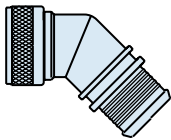
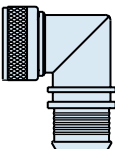


**Micro Band Tool**  
600-061

MATERIALS	
Nut, Adapter	Aluminum Alloy or 300 Series SST
Band	300 Series SST
O-Ring	Silicone Elastomer

### HOW TO ORDER

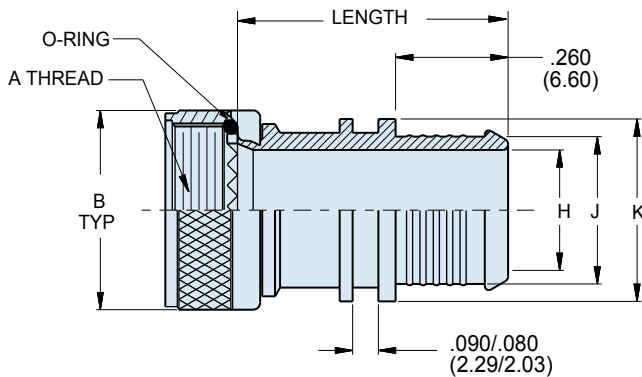
#### Sample Part Number

440MS135	M	07	05-	6	K																																																																																																		
Part Number	Shell Material / Finish	Size Code	Cable Entry Size	Length	Band Option																																																																																																		
 <b>440MS135</b> Straight Entry	<p><b>C</b> Aluminum / Black Anodize (Non-Conductive) RoHS Compliant</p> <p><b>M</b> Aluminum / Electroless Nickel RoHS Compliant</p> <p><b>NF</b> Aluminum / Cadmium with Olive Drab Chromate</p> <p><b>ZN</b> Aluminum / Zinc-Nickel with Olive Drab Chromate</p> <p><b>ZNU</b> Aluminum / Zinc-Nickel with Black Chromate</p> <p><b>MT</b> Aluminum / Nickel-PTFE RoHS Compliant</p> <p><b>Z1</b> Stainless Steel / Passivated RoHS Compliant</p>	<table border="1"> <thead> <tr> <th>Size Code</th> <th>Thread Size</th> </tr> </thead> <tbody> <tr><td>05</td><td>.2500-32</td></tr> <tr><td>06</td><td>.3125-32</td></tr> <tr><td>11</td><td>.3750-32</td></tr> <tr><td>07</td><td>.4375-28</td></tr> <tr><td>08</td><td>.5000-28</td></tr> <tr><td>09</td><td>.5625-24</td></tr> <tr><td>10</td><td>.6250-24</td></tr> <tr><td>12</td><td>.6875-24</td></tr> <tr><td>13</td><td>.7500-20</td></tr> <tr><td>14</td><td>.9375-20</td></tr> <tr><td>17</td><td>1.1875-18</td></tr> </tbody> </table>	Size Code	Thread Size	05	.2500-32	06	.3125-32	11	.3750-32	07	.4375-28	08	.5000-28	09	.5625-24	10	.6250-24	12	.6875-24	13	.7500-20	14	.9375-20	17	1.1875-18	<table border="1"> <thead> <tr> <th>Cable Entry Code</th> <th>Cable Entry Dia. (In.)</th> <th>Use With Size Codes</th> </tr> </thead> <tbody> <tr><td>02-</td><td>.125</td><td>05-17</td></tr> <tr><td>03-</td><td>.188</td><td>05-17</td></tr> <tr><td>04-</td><td>.250</td><td>06-17</td></tr> <tr><td>05-</td><td>.312</td><td>07-17</td></tr> <tr><td>06-</td><td>.375</td><td>07-17</td></tr> <tr><td>07-</td><td>.438</td><td>08-17</td></tr> <tr><td>08-</td><td>.500</td><td>09-17</td></tr> <tr><td>09-</td><td>.562</td><td>10-17</td></tr> <tr><td>10-</td><td>.625</td><td>12-17</td></tr> <tr><td>11-</td><td>.688</td><td>14-17</td></tr> <tr><td>12-</td><td>.750</td><td>14-17</td></tr> <tr><td>13-</td><td>.812</td><td>14-17</td></tr> <tr><td>14-</td><td>.875</td><td>14-17</td></tr> </tbody> </table>	Cable Entry Code	Cable Entry Dia. (In.)	Use With Size Codes	02-	.125	05-17	03-	.188	05-17	04-	.250	06-17	05-	.312	07-17	06-	.375	07-17	07-	.438	08-17	08-	.500	09-17	09-	.562	10-17	10-	.625	12-17	11-	.688	14-17	12-	.750	14-17	13-	.812	14-17	14-	.875	14-17	<p style="text-align: center;">Straight Entry 440MS135 Only</p> <table border="1"> <thead> <tr> <th>Length Code</th> <th>Length (Inches)</th> </tr> </thead> <tbody> <tr><td>6</td><td>.750</td></tr> <tr><td>7</td><td>.875</td></tr> <tr><td>8</td><td>1.000</td></tr> <tr><td>9</td><td>1.125</td></tr> <tr><td>10</td><td>1.250</td></tr> <tr><td>11</td><td>1.375</td></tr> <tr><td>12</td><td>1.500</td></tr> <tr><td>13</td><td>1.625</td></tr> <tr><td>14</td><td>1.750</td></tr> <tr><td>15</td><td>1.875</td></tr> <tr><td>16</td><td>2.000</td></tr> <tr><td>17</td><td>2.125</td></tr> <tr><td>18</td><td>2.250</td></tr> <tr><td>19</td><td>2.375</td></tr> <tr><td>20</td><td>2.500</td></tr> </tbody> </table> <p style="text-align: center;">Specify Length in increments of .125 inches (3.18 mm.)</p>	Length Code	Length (Inches)	6	.750	7	.875	8	1.000	9	1.125	10	1.250	11	1.375	12	1.500	13	1.625	14	1.750	15	1.875	16	2.000	17	2.125	18	2.250	19	2.375	20	2.500	<p>Omit for no band supplied</p> <p><b>K</b> Adapter is supplied with <b>BAND-IT®</b> shield termination band, pre-coiled</p>
			Size Code	Thread Size																																																																																																			
			05	.2500-32																																																																																																			
			06	.3125-32																																																																																																			
			11	.3750-32																																																																																																			
			07	.4375-28																																																																																																			
			08	.5000-28																																																																																																			
			09	.5625-24																																																																																																			
			10	.6250-24																																																																																																			
			12	.6875-24																																																																																																			
13	.7500-20																																																																																																						
14	.9375-20																																																																																																						
17	1.1875-18																																																																																																						
Cable Entry Code	Cable Entry Dia. (In.)	Use With Size Codes																																																																																																					
02-	.125	05-17																																																																																																					
03-	.188	05-17																																																																																																					
04-	.250	06-17																																																																																																					
05-	.312	07-17																																																																																																					
06-	.375	07-17																																																																																																					
07-	.438	08-17																																																																																																					
08-	.500	09-17																																																																																																					
09-	.562	10-17																																																																																																					
10-	.625	12-17																																																																																																					
11-	.688	14-17																																																																																																					
12-	.750	14-17																																																																																																					
13-	.812	14-17																																																																																																					
14-	.875	14-17																																																																																																					
Length Code	Length (Inches)																																																																																																						
6	.750																																																																																																						
7	.875																																																																																																						
8	1.000																																																																																																						
9	1.125																																																																																																						
10	1.250																																																																																																						
11	1.375																																																																																																						
12	1.500																																																																																																						
13	1.625																																																																																																						
14	1.750																																																																																																						
15	1.875																																																																																																						
16	2.000																																																																																																						
17	2.125																																																																																																						
18	2.250																																																																																																						
19	2.375																																																																																																						
20	2.500																																																																																																						
 <b>440MK135</b> 45° Entry																																																																																																							
 <b>440ML135</b> 90° Entry																																																																																																							

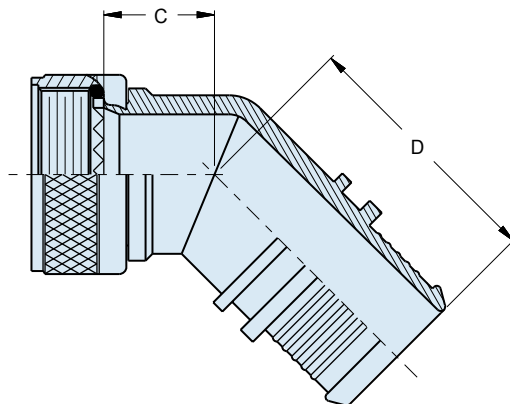
Dimensions in inches (millimeters) and are subject to change without notice.

# Series 80 Mighty Mouse Thread-On BAND-IT® Adapter Dimensions

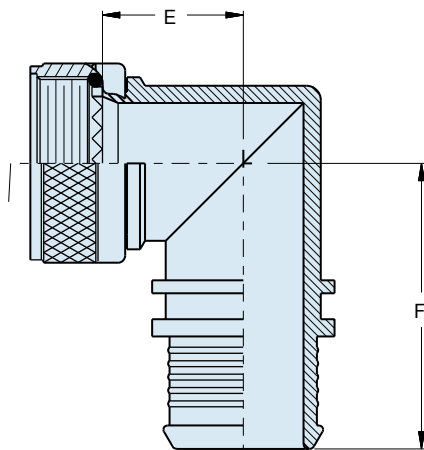
440MS135, 440MK135 and 440ML135



STRAIGHT ENTRY  
ROTATABLE COUPLING  
440MS135



45° ENTRY  
ROTATABLE COUPLING  
440MK135



90° ENTRY  
ROTATABLE COUPLING  
440ML135

## DIMENSIONS

Size Code	A Threads	B Max.		C Max.		D Max.		E Max.		F Max.	
		In.	mm.	In.	mm.	In.	mm.	In.	mm.	In.	mm.
05	.2500-32	.470	11.94	.530	13.46	.660	16.76	.630	16.00	.780	19.81
06	.3125-32	.530	13.46	.550	13.97	.670	17.02	.660	16.76	.790	20.27
11	.3750-32	.570	14.48	.560	14.22	.680	17.27	.680	17.27	.810	20.57
07	.4375-28	.637	16.18	.570	14.48	.690	17.53	.700	17.78	.830	21.08
08	.5000-28	.700	17.78	.580	14.73	.700	17.78	.740	18.80	.860	21.84
09	.5625-24	.758	19.25	.590	14.99	.710	18.03	.770	19.56	.890	22.61
10	.6250-24	.819	20.80	.610	15.49	.730	18.54	.800	20.32	.920	23.37
12	.6875-24	.896	22.76	.640	16.26	.750	19.05	.840	21.34	.970	24.64
13	.7500-20	.930	23.62	.660	16.76	.770	19.56	.880	22.35	1.020	25.91
14	.9375-20	1.137	28.88	.690	17.53	.800	20.32	.950	24.13	1.090	27.69
17	1.1875-18	1.387	35.23	.720	18.29	.830	21.08	1.010	25.65	1.160	29.46

## CABLE ENTRY

Cable Entry Code	Ø H		Ø J		Ø K		Use With Size Codes
	In.	mm.	In.	mm.	In.	mm.	
	±.015	±0.38	±.015	±0.38	±.015	±0.38	
02	.125	3.18	.164	4.17	.266	6.76	05-14
03	.188	4.78	.227	5.77	.329	8.36	05-14
04	.250	6.35	.289	7.34	.391	9.93	06-14
05	.312	7.92	.351	8.92	.453	11.51	07-14
06	.375	9.53	.414	10.52	.516	13.11	07-14
07	.438	11.13	.477	12.12	.579	14.71	08-14
08	.500	12.70	.539	13.69	.641	16.28	09-14
09	.562	14.27	.601	15.27	.703	17.86	10-14
10	.625	15.88	.664	16.87	.766	19.46	12-14
11	.688	17.48	.727	18.47	.829	21.06	14
12	.750	19.05	.789	20.04	.891	22.63	14
13	.812	20.62	.851	21.62	.953	24.21	14
14	.875	22.23	.914	23.22	1.016	25.81	14

## CONNECTOR SHELL SIZES

Size Code	A Threads	Shell Size	
		Series 800, 801, 803, 804	Series 805
05	.2500-32 UNEF-2B	5	—
06	.3125-32 UNEF-2B	6	—
11	.375-32 UNEF-2B	—	8
07	.4375-28 UNEF-2B	7	9
08	.5000-28 UNEF-2B	8	10
09	.5625-24 UNEF-2B	9	11
10	.6250-24 UNEF-2B	10	12
12	.6875-24 UNEF-2B	12, 13	—
13	.7500-20 UNEF-2B	—	15
14	.9375-20 UNEF-2B	14, 15, 16, 17	18, 19
17	1.1875-18 UNEF-2B	21	23

Dimensions in inches (millimeters) and are subject to change without notice.



## Series 80 Mighty Mouse Low-Profile BAND-IT® Adapter Ordering Information 440MS134



**BAND-IT® Strap**  
Microband 600-057-1



**Installed**

Add a boot or overmold for environmental protection

These low-profile adapters are used with **BAND-IT® micro band** shield termination straps. Choose the smallest cable entry for your wire bundle.

**Micro Band Tool**  
600-061



### MATERIALS

Adapter	Aluminum Alloy or 300 Series SST
Band	300 Series SST
O-Ring	Silicone Elastomer

### HOW TO ORDER

Sample Part Number

**440MS134**

**NF**

**12**

**08**

**K**

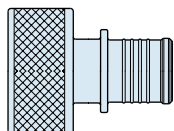
**Part Number**

**Shell Material / Finish**

**Size Code**

**Cable Entry Size**

**Band Option**



**440MS134**  
Straight Entry

<b>C</b>
Aluminum / Black Anodize (Non-Conductive) RoHS Compliant
<b>M</b>
Aluminum / Electroless Nickel RoHS Compliant
<b>NF</b>
Aluminum / Cadmium with Olive Drab Chromate
<b>ZN</b>
Aluminum / Zinc-Nickel with Olive Drab Chromate
<b>ZNU</b>
Aluminum / Zinc-Nickel with Black Chromate
<b>MT</b>
Aluminum / Nickel-PTFE RoHS Compliant
<b>Z1</b>
Stainless Steel / Passivated RoHS Compliant

Size Code	Thread Size
<b>05</b>	.2500-32
<b>06</b>	.3125-32
<b>11</b>	.3750-32
<b>07</b>	.4375-28
<b>08</b>	.5000-28
<b>09</b>	.5625-24
<b>10</b>	.6250-24
<b>12</b>	.6875-24
<b>13</b>	.7500-20
<b>14</b>	.9375-20
<b>17</b>	1.1875-18

Cable Entry Code	Cable Entry Dia. (In.)	Use With Size Codes
<b>01</b>	.094	05-06, 11
<b>02</b>	.125	05-07, 11
<b>03</b>	.172	05-08, 11
<b>04</b>	.234	06-08
<b>05</b>	.272	07-09
<b>06</b>	.312	07-10
<b>07</b>	.375	08-13
<b>08</b>	.438	09-13
<b>09</b>	.500	10-13
<b>10</b>	.562	12-14, 17
<b>11</b>	.625	14, 17
<b>12</b>	.688	14, 17
<b>13</b>	.750	14, 17
<b>14</b>	.812	14, 17

Omit for no band supplied

**K**  
Adapter is supplied with **BAND-IT®** shield termination band, pre-coiled

Dimensions in inches (millimeters) and are subject to change without notice.

© 2010 Glenair, Inc.

CAGE Code 06324

Printed in U.S.A.

**GLENAIR, INC. • 1211 AIR WAY • GLENDALE, CA 91201-2497 • 818-247-6000 • FAX 818-500-9912**

www.glenair.com

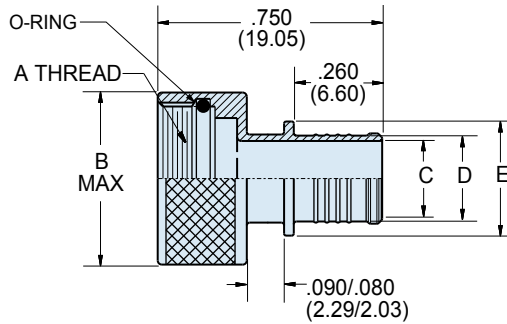
L-18

E-Mail: sales@glenair.com

01-JANUARY-2010



# Series 80 Mighty Mouse Low-Profile BAND-IT® Adapter Dimensions 440MS134



STRAIGHT ENTRY  
DIRECT COUPLING  
440MS134

DIMENSIONS			
Size Code	A Threads	B Max.	
		In.	mm.
05	.2500-32 UNEF-2B	.350	8.89
06	.3125-32 UNEF-2B	.415	10.54
11	.375-32 UN-2B	.465	11.81
07	.4375-28 UNEF-2B	.530	13.46
08	.5000-28 UNEF-2B	.595	15.11
09	.5625-24 UNEF-2B	.650	16.51
10	.6250-24 UNEF-2B	.715	18.16
12	.6875-24 UNEF-2B	.785	19.94
13	.750-20 UNEF-2B	.830	21.08
14	.9375-20 UNEF-2B	1.020	25.91
17	1.1875-18 UNEF-2B	1.280	32.51

CABLE ENTRY							
Cable Entry Code	Ø C		Ø D		Ø E		Use With Size Codes
	In.	mm.	In.	mm.	In.	mm.	
	±.015	±0.38	±.015	±0.38	±.015	±0.38	
01	.094	2.39	.133	3.38	.235	5.97	05-06
02	.125	3.18	.164	4.17	.266	6.76	05-07
03	.172	4.37	.211	5.36	.313	7.95	05-08
04	.234	5.94	.273	6.93	.375	9.53	06-08
05	.272	6.91	.311	7.90	.413	10.49	07-09
06	.312	7.92	.351	8.92	.453	11.51	07-10
07	.375	9.53	.414	10.52	.516	13.11	08-12
08	.438	11.13	.477	12.12	.579	14.71	09-12
09	.500	12.70	.539	13.69	.641	16.28	10-12
10	.562	14.27	.601	15.27	.703	17.88	12-14
11	.625	15.88	.664	16.87	.766	19.46	14
12	.688	17.48	.727	18.47	.829	21.06	14
13	.750	19.05	.789	20.04	.891	22.63	14
14	.812	20.62	.851	21.62	.953	24.21	14

CONNECTOR SHELL SIZES			
Size Code	A Threads	Shell Size	
		Series 800, 801, 803, 804	Series 805
05	.2500-32 UNEF-2B	5	—
06	.3125-32 UNEF-2B	6	—
11	.375-32 UNEF-2B	—	8
07	.4375-28 UNEF-2B	7	9
08	.5000-28 UNEF-2B	8	10
09	.5625-24 UNEF-2B	9	11
10	.6250-24 UNEF-2B	10	12
12	.6875-24 UNEF-2B	12, 13	—
13	.750-20 UNEF-2B	—	15
14	.9375-20 UNEF-2B	14, 15, 16, 17	18, 19
17	1.1875-18 UNEF-2B	21	23

Dimensions in inches (millimeters) and are subject to change without notice.



## Series 80 Mighty Mouse Environmental Backshell Ordering Information

370MS037, 370MS038, 370MB038 and 370MA038



Environmental backshells feature silicone o-rings for a watertight seal.

**Straight Entry** backshells are available with direct coupling or rotatable coupling.

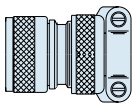
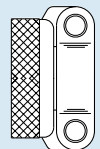
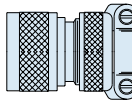
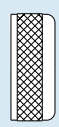
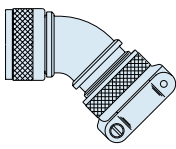
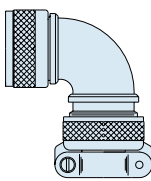
**45° and 90°** adapters feature rotatable coupling nuts.

### MATERIALS

Adapter, Clamp, Nut and Saddles	Aluminum Alloy 6061-T6 or 300 Series Stainless Steel
O-Rings	Silicone Rubber
Hardware	300 Series Stainless Steel

### HOW TO ORDER

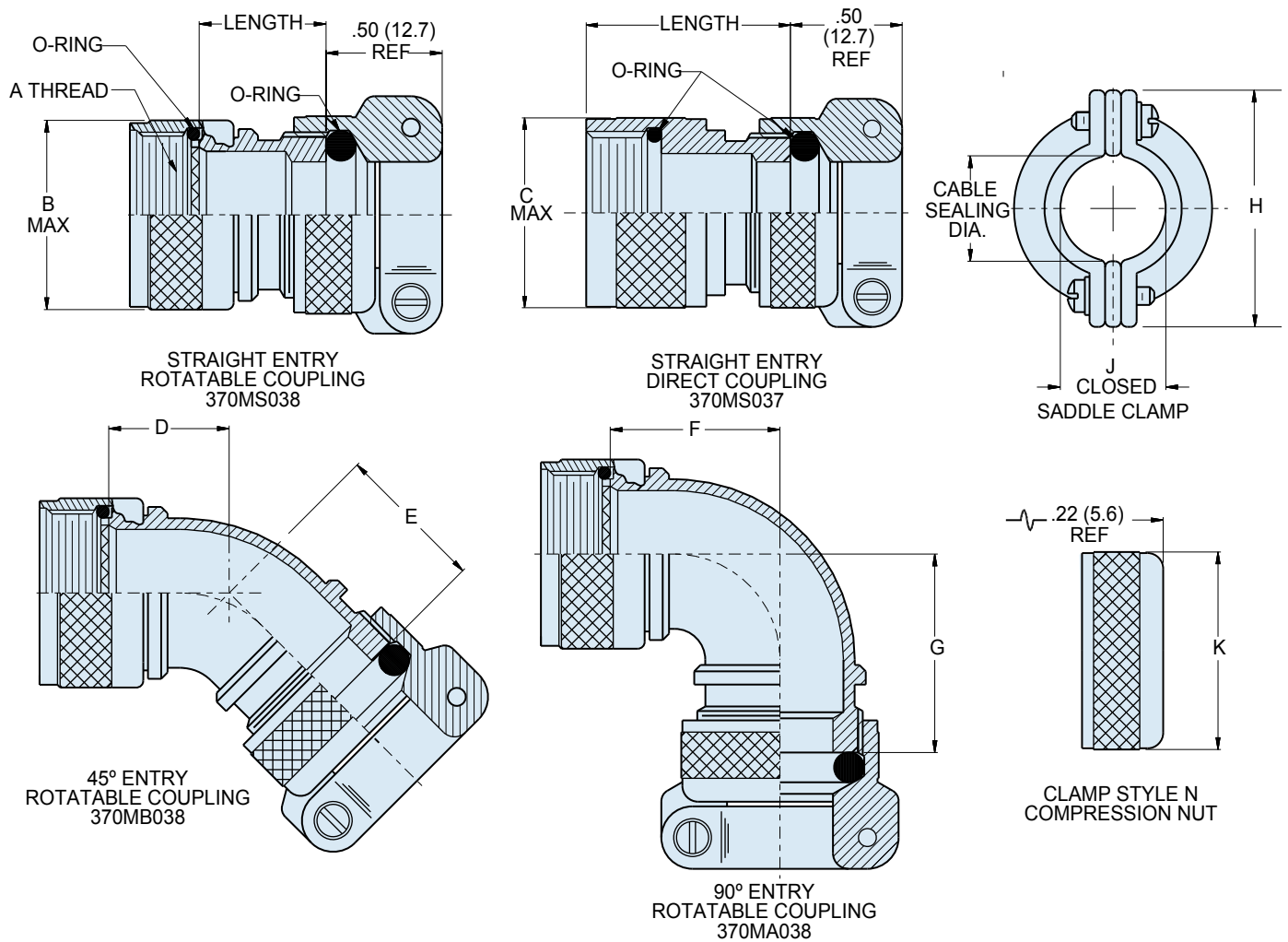
#### Sample Part Number

370MS037	C	10	05-	6	N																																																																																										
Part Number	Shell Material / Finish	Size Code	Cable Entry Code	Length	Clamp Style																																																																																										
 <b>370MS038</b> Straight Entry, Rotatable Coupling	<b>C</b> Aluminum / Black Anodize (Non-Conductive) RoHS Compliant	<table border="1"> <thead> <tr> <th>Size Code</th> <th>Thread Size</th> </tr> </thead> <tbody> <tr><td>05</td><td>.2500-32</td></tr> <tr><td>06</td><td>.3125-32</td></tr> <tr><td>11</td><td>.3750-32</td></tr> <tr><td>07</td><td>.4375-28</td></tr> <tr><td>08</td><td>.5000-28</td></tr> <tr><td>09</td><td>.5625-24</td></tr> <tr><td>10</td><td>.6250-24</td></tr> <tr><td>12</td><td>.6875-24</td></tr> <tr><td>13</td><td>.7500-20</td></tr> <tr><td>14</td><td>.9375-20</td></tr> <tr><td>17</td><td>1.1875-18</td></tr> </tbody> </table>	Size Code	Thread Size	05	.2500-32	06	.3125-32	11	.3750-32	07	.4375-28	08	.5000-28	09	.5625-24	10	.6250-24	12	.6875-24	13	.7500-20	14	.9375-20	17	1.1875-18	<table border="1"> <thead> <tr> <th rowspan="2">Cable Entry Code</th> <th colspan="2">Cable Sealing Diameter</th> </tr> <tr> <th>Max.</th> <th>Min.</th> </tr> </thead> <tbody> <tr><td>01-</td><td>.109</td><td>.031</td></tr> <tr><td>02-</td><td>.172</td><td>.078</td></tr> <tr><td>03-</td><td>.234</td><td>.140</td></tr> <tr><td>04-</td><td>.297</td><td>.203</td></tr> <tr><td>05-</td><td>.359</td><td>.265</td></tr> <tr><td>06-</td><td>.422</td><td>.328</td></tr> <tr><td>07-</td><td>.484</td><td>.390</td></tr> <tr><td>08-</td><td>.547</td><td>.453</td></tr> <tr><td>09-</td><td>.609</td><td>.515</td></tr> </tbody> </table>	Cable Entry Code	Cable Sealing Diameter		Max.	Min.	01-	.109	.031	02-	.172	.078	03-	.234	.140	04-	.297	.203	05-	.359	.265	06-	.422	.328	07-	.484	.390	08-	.547	.453	09-	.609	.515	Straight Entry 370MS Only <table border="1"> <thead> <tr> <th>Length Code</th> <th>Length (Inches)</th> </tr> </thead> <tbody> <tr><td>5</td><td>.625</td></tr> <tr><td>6</td><td>.750</td></tr> <tr><td>7</td><td>.875</td></tr> <tr><td>8</td><td>1.000</td></tr> <tr><td>9</td><td>1.125</td></tr> <tr><td>10</td><td>1.250</td></tr> <tr><td>11</td><td>1.375</td></tr> <tr><td>12</td><td>1.500</td></tr> <tr><td>13</td><td>1.625</td></tr> <tr><td>14</td><td>1.750</td></tr> <tr><td>15</td><td>1.875</td></tr> <tr><td>16</td><td>2.000</td></tr> <tr><td>17</td><td>2.125</td></tr> <tr><td>18</td><td>2.250</td></tr> <tr><td>19</td><td>2.375</td></tr> <tr><td>20</td><td>2.500</td></tr> </tbody> </table>	Length Code	Length (Inches)	5	.625	6	.750	7	.875	8	1.000	9	1.125	10	1.250	11	1.375	12	1.500	13	1.625	14	1.750	15	1.875	16	2.000	17	2.125	18	2.250	19	2.375	20	2.500	 Omit for screw clamp with saddle bars
		Size Code	Thread Size																																																																																												
05	.2500-32																																																																																														
06	.3125-32																																																																																														
11	.3750-32																																																																																														
07	.4375-28																																																																																														
08	.5000-28																																																																																														
09	.5625-24																																																																																														
10	.6250-24																																																																																														
12	.6875-24																																																																																														
13	.7500-20																																																																																														
14	.9375-20																																																																																														
17	1.1875-18																																																																																														
Cable Entry Code	Cable Sealing Diameter																																																																																														
	Max.	Min.																																																																																													
01-	.109	.031																																																																																													
02-	.172	.078																																																																																													
03-	.234	.140																																																																																													
04-	.297	.203																																																																																													
05-	.359	.265																																																																																													
06-	.422	.328																																																																																													
07-	.484	.390																																																																																													
08-	.547	.453																																																																																													
09-	.609	.515																																																																																													
Length Code	Length (Inches)																																																																																														
5	.625																																																																																														
6	.750																																																																																														
7	.875																																																																																														
8	1.000																																																																																														
9	1.125																																																																																														
10	1.250																																																																																														
11	1.375																																																																																														
12	1.500																																																																																														
13	1.625																																																																																														
14	1.750																																																																																														
15	1.875																																																																																														
16	2.000																																																																																														
17	2.125																																																																																														
18	2.250																																																																																														
19	2.375																																																																																														
20	2.500																																																																																														
 <b>370MS037</b> Straight Entry, Direct Coupling	<b>M</b> Aluminum / Electroless Nickel RoHS Compliant				 <b>N</b> Compression Nut, Low Profile																																																																																										
 <b>370MB038</b> 45° Entry	<b>NF</b> Aluminum / Cadmium with Olive Drab Chromate																																																																																														
 <b>370MA038</b> 90° Entry	<b>ZN</b> Aluminum / Zinc-Nickel with Olive Drab Chromate																																																																																														
	<b>ZNU</b> Aluminum / Zinc-Nickel with Black Chromate																																																																																														
	<b>MT</b> Aluminum / Nickel-PTFE RoHS Compliant																																																																																														
	<b>Z1</b> Stainless Steel / Passivated RoHS Compliant																																																																																														

Dimensions in inches (millimeters) and are subject to change without notice.

# Series 80 Mighty Mouse Environmental Backshell Dimensions

370MS037, 370MS038, 370MB038 and 370MA038



DIMENSIONS							
Size Code	A Thds.	B Max.		C Max.		Std. Length*	
		In.	mm.	In.	mm.	In.	mm.
05	.2500-32	.470	11.94	.350	8.89	.750	19.05
06	.3125-32	.530	13.46	.415	10.54	.750	19.05
11	.3750-32	.570	14.48	.465	11.68	.750	19.05
07	.4375-28	.637	16.18	.530	13.46	.750	19.05
08	.5000-28	.700	17.78	.595	15.11	.750	19.05
09	.5625-24	.758	19.25	.650	16.51	.750	19.05
10	.6250-24	.819	20.80	.715	18.16	.750	19.05
12	.6875-24	.896	22.76	.785	19.94	.880	22.35
13	.7500-20	.930	23.62	.830	21.08	.880	22.35
14	.9375-20	1.137	28.88	1.020	25.91	1.000	25.40
17	1.1875-18	1.280	32.51	1.387	35.23	1.130	28.70

\*Choose standard length for best availability

DIMENSIONS																
Cable Entry Code	Cable Sealing Dia.		D Max.		E Max.		F Max.		G Max.		H		Ø J Closed		Ø K	
	Max.	Min.	In.	mm.	In.	mm.	In.	mm.	In.	mm.	In.	mm.	In.	mm.	In.	mm.
01	.109	.031	.603	15.32	.581	14.76	.724	18.39	.702	17.83	.496	12.60	.110	2.79	.398	10.11
02	.172	.078	.603	15.32	.581	14.76	.724	18.39	.702	17.83	.582	14.78	.170	4.32	.460	11.68
03	.234	.140	.603	15.32	.581	14.76	.724	18.39	.702	17.83	.656	16.66	.230	5.84	.523	13.28
04	.297	.203	.629	15.98	.607	15.42	.786	19.96	.764	19.41	.726	18.44	.300	7.62	.585	14.86
05	.359	.265	.629	15.98	.607	15.42	.786	19.96	.764	19.41	.885	22.48	.360	9.14	.647	16.43
06	.422	.328	.655	16.64	.633	16.00	.848	21.54	.826	20.98	.952	24.18	.420	10.67	.710	18.03
07	.484	.390	.655	16.64	.633	16.00	.848	21.54	.826	20.98	1.018	25.86	.480	12.19	.773	19.63
08	.547	.453	.707	17.96	.685	17.40	.911	23.14	.889	22.58	1.084	27.53	.550	13.97	.835	21.21
09	.609	.515	.707	17.96	.685	17.40	.911	23.14	.889	22.58	1.148	29.16	.610	15.49	.897	22.78

Dimensions in inches (millimeters) and are subject to change without notice.

## Series 80 Mighty Mouse EMI Backshell Ordering Information

380MS137, 380MS135, 380MB137 and 380MA137



**380MS135**

EMI backshells feature an EMI ring for easy shield termination.

**Straight Entry** backshells are available with direct coupling or rotatable coupling.

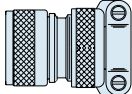
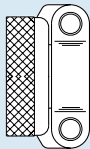
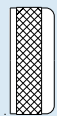
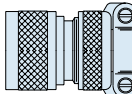
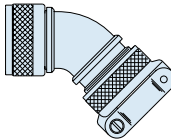
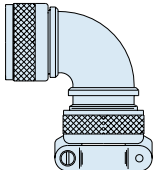
**45° and 90°** adapters feature rotatable coupling nuts.

### MATERIALS

Adapter, Clamp, Nut and Saddles	Aluminum Alloy 6061-T6 or 300 Series Stainless Steel
O-Rings	Silicone Rubber
Hardware	300 Series Stainless Steel

### HOW TO ORDER

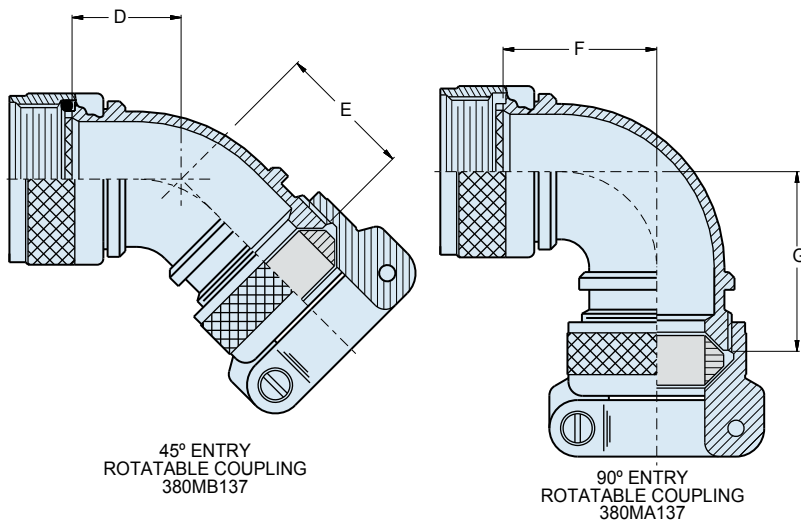
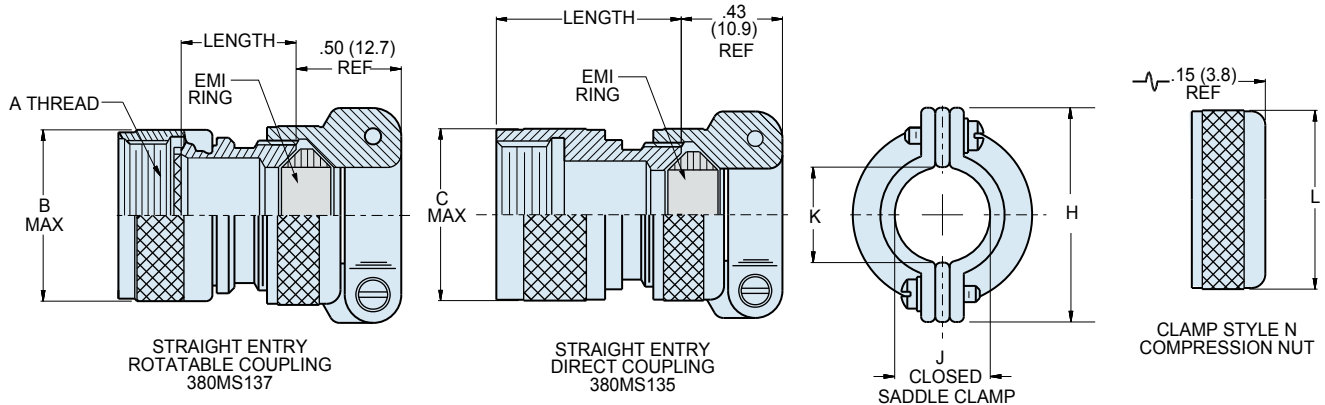
#### Sample Part Number

380MS137	M	07	04-	6	N																																																																														
Part Number	Shell Material / Finish	Size Code	Cable Entry Code	Length	Clamp Style																																																																														
 <b>380MS137</b> Straight Entry, Rotatable Coupling	<b>C</b> Aluminum / Black Anodize (Non-Conductive) RoHS Compliant  <b>M</b> Aluminum / Electroless Nickel RoHS Compliant  <b>NF</b> Aluminum / Cadmium with Olive Drab Chromate  <b>ZN</b> Aluminum / Zinc-Nickel with Olive Drab Chromate  <b>ZNU</b> Aluminum / Zinc-Nickel with Black Chromate  <b>MT</b> Aluminum / Nickel-PTFE RoHS Compliant  <b>Z1</b> Stainless Steel / Passivated RoHS Compliant	<table border="1"> <thead> <tr> <th>Size Code</th> <th>Thread Size</th> </tr> </thead> <tbody> <tr><td>05</td><td>.2500-32</td></tr> <tr><td>06</td><td>.3125-32</td></tr> <tr><td>11</td><td>.3750-32</td></tr> <tr><td>07</td><td>.4375-28</td></tr> <tr><td>08</td><td>.5000-28</td></tr> <tr><td>09</td><td>.5625-24</td></tr> <tr><td>10</td><td>.6250-24</td></tr> <tr><td>12</td><td>.6875-24</td></tr> <tr><td>13</td><td>.7500-20</td></tr> <tr><td>14</td><td>.9375-20</td></tr> <tr><td>17</td><td>1.1875-18</td></tr> </tbody> </table>	Size Code	Thread Size	05	.2500-32	06	.3125-32	11	.3750-32	07	.4375-28	08	.5000-28	09	.5625-24	10	.6250-24	12	.6875-24	13	.7500-20	14	.9375-20	17	1.1875-18	<table border="1"> <thead> <tr> <th>Cable Entry Code</th> <th>Saddle Clamp Dia. Fully Closed</th> </tr> </thead> <tbody> <tr><td>01-</td><td>.11</td></tr> <tr><td>02-</td><td>.17</td></tr> <tr><td>03-</td><td>.23</td></tr> <tr><td>04-</td><td>.30</td></tr> <tr><td>05-</td><td>.36</td></tr> <tr><td>06-</td><td>.42</td></tr> <tr><td>07-</td><td>.48</td></tr> <tr><td>08-</td><td>.55</td></tr> <tr><td>09-</td><td>.61</td></tr> </tbody> </table>	Cable Entry Code	Saddle Clamp Dia. Fully Closed	01-	.11	02-	.17	03-	.23	04-	.30	05-	.36	06-	.42	07-	.48	08-	.55	09-	.61	Straight Entry 380MS Only <table border="1"> <thead> <tr> <th>Length Code</th> <th>Length (Inches)</th> </tr> </thead> <tbody> <tr><td>5</td><td>.625</td></tr> <tr><td>6</td><td>.750</td></tr> <tr><td>7</td><td>.875</td></tr> <tr><td>8</td><td>1.000</td></tr> <tr><td>9</td><td>1.125</td></tr> <tr><td>10</td><td>1.250</td></tr> <tr><td>11</td><td>1.375</td></tr> <tr><td>12</td><td>1.500</td></tr> <tr><td>13</td><td>1.625</td></tr> <tr><td>14</td><td>1.750</td></tr> <tr><td>15</td><td>1.875</td></tr> <tr><td>16</td><td>2.000</td></tr> <tr><td>17</td><td>2.125</td></tr> <tr><td>18</td><td>2.250</td></tr> <tr><td>19</td><td>2.375</td></tr> <tr><td>20</td><td>2.500</td></tr> </tbody> </table> Specify length in increments of .125 inches (3.18 mm.)	Length Code	Length (Inches)	5	.625	6	.750	7	.875	8	1.000	9	1.125	10	1.250	11	1.375	12	1.500	13	1.625	14	1.750	15	1.875	16	2.000	17	2.125	18	2.250	19	2.375	20	2.500	 Omit for screw clamp with saddle bars   <b>N</b> Optional Compression Nut, Low Profile
			Size Code	Thread Size																																																																															
			05	.2500-32																																																																															
			06	.3125-32																																																																															
11	.3750-32																																																																																		
07	.4375-28																																																																																		
08	.5000-28																																																																																		
09	.5625-24																																																																																		
10	.6250-24																																																																																		
12	.6875-24																																																																																		
13	.7500-20																																																																																		
14	.9375-20																																																																																		
17	1.1875-18																																																																																		
Cable Entry Code	Saddle Clamp Dia. Fully Closed																																																																																		
01-	.11																																																																																		
02-	.17																																																																																		
03-	.23																																																																																		
04-	.30																																																																																		
05-	.36																																																																																		
06-	.42																																																																																		
07-	.48																																																																																		
08-	.55																																																																																		
09-	.61																																																																																		
Length Code	Length (Inches)																																																																																		
5	.625																																																																																		
6	.750																																																																																		
7	.875																																																																																		
8	1.000																																																																																		
9	1.125																																																																																		
10	1.250																																																																																		
11	1.375																																																																																		
12	1.500																																																																																		
13	1.625																																																																																		
14	1.750																																																																																		
15	1.875																																																																																		
16	2.000																																																																																		
17	2.125																																																																																		
18	2.250																																																																																		
19	2.375																																																																																		
20	2.500																																																																																		
 <b>380MS135</b> Straight Entry, Direct Coupling																																																																																			
 <b>380MB137</b> 45° Entry																																																																																			
 <b>380MA137</b> 90° Entry																																																																																			

Dimensions in inches (millimeters) and are subject to change without notice.

# Series 80 Mighty Mouse EMI Backshell Dimensions

380MS137, 380MS135, 380MB137 and 380MA137



DIMENSIONS							
Size Code	A Thds.	B Max.		C Max.		Std. Length*	
		In.	mm.	In.	mm.	In.	mm.
05	.2500-32	.470	11.94	.350	8.89	.750	19.05
06	.3125-32	.530	13.46	.415	10.54	.750	19.05
11	.3750-32	.570	14.48	.465	11.68	.750	19.05
07	.4375-28	.637	16.18	.530	13.46	.750	19.05
08	.5000-28	.700	17.78	.595	15.11	.750	19.05
09	.5625-24	.758	19.25	.650	16.51	.750	19.05
10	.6250-24	.819	20.80	.715	18.16	.750	19.05
12	.6875-24	.896	22.76	.785	19.94	.880	22.35
13	.7500-20	.930	23.62	.830	21.08	.880	22.35
14	.9375-20	1.137	28.88	1.020	25.91	1.000	25.40
17	1.1875-18	1.387	35.23	1.280	32.51	1.130	28.70

\*Choose standard length for best availability

DIMENSIONS																
Cable Entry Code	D Max.		E Max.		F Max.		G Max.		H		Ø J Closed		Ø K		Ø L	
	In.	mm.	In.	mm.	In.	mm.	In.	mm.	± .015	± 0.38	± .030	± 0.76	± .015	± 0.38	± .015	± 0.38
	In.	mm.	In.	mm.	In.	mm.	In.	mm.	In.	mm.	In.	mm.	In.	mm.	In.	mm.
01	.603	15.32	.581	14.76	.724	18.39	.702	17.83	.496	12.60	.110	2.79	.119	3.02	.398	10.11
02	.603	15.32	.581	14.76	.724	18.39	.702	17.83	.582	14.78	.170	4.32	.182	4.62	.460	11.68
03	.603	15.32	.581	14.76	.724	18.39	.702	17.83	.656	16.66	.230	5.84	.244	6.20	.523	13.28
04	.629	15.98	.607	15.42	.786	19.96	.764	19.41	.726	18.44	.300	7.62	.307	7.80	.585	14.86
05	.629	15.98	.607	15.42	.786	19.96	.764	19.41	.885	22.48	.360	9.14	.369	9.37	.647	16.43
06	.655	16.64	.633	16.00	.848	21.54	.826	20.98	.952	24.18	.420	10.67	.432	10.97	.710	18.03
07	.655	16.64	.633	16.00	.848	21.54	.826	20.98	1.018	25.86	.480	12.19	.494	12.55	.773	19.63
08	.707	17.96	.685	17.40	.911	23.14	.889	22.58	1.084	27.53	.550	13.97	.557	14.15	.835	21.21
09	.707	17.96	.685	17.40	.911	23.14	.889	22.58	1.148	29.16	.610	15.49	.619	15.72	.897	22.78

Dimensions in inches (millimeters) and are subject to change without notice.

## Series 80 Mighty Mouse Environmental EMI Backshell Ordering Information

390MS077, 390MS076, 390MB077 and 390MA077

Compression  
Nut



These backshells feature an EMI ring for easy shield termination. O-rings provide watertight seals on the cable jacket and on the backshell-to-connector interface.

### MATERIALS

Adapter, Clamp, Nut and Saddles	Aluminum Alloy 6061-T6 or 300 Series Stainless Steel
O-Rings	Silicone Rubber
Hardware	300 Series Stainless Steel

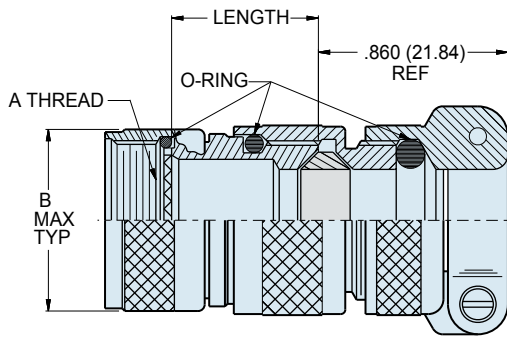
### HOW TO ORDER

390MS077	M	07	04-	6	N																																																																																																
Part Number	Shell Material / Finish	Size Code	Cable Entry Code	Length	Clamp Style																																																																																																
<p><b>390MS077</b> Straight Entry, Rotatable Coupling</p> <p><b>390MS076</b> Straight Entry, Direct Coupling</p> <p><b>390MB077</b> 45° Entry Rotatable Coupling</p> <p><b>390MA077</b> 90° Entry Rotatable Coupling</p>	<b>C</b> Aluminum / Black Anodize (Non-Conductive) RoHS Compliant	<table border="1" style="font-size: small;"> <thead> <tr> <th>Size Code</th> <th>Thread Size</th> </tr> </thead> <tbody> <tr><td>05</td><td>.2500-32</td></tr> <tr><td>06</td><td>.3125-32</td></tr> <tr><td>11</td><td>.3750-32</td></tr> <tr><td>07</td><td>.4375-28</td></tr> <tr><td>08</td><td>.5000-28</td></tr> <tr><td>09</td><td>.5625-24</td></tr> <tr><td>10</td><td>.6250-24</td></tr> <tr><td>12</td><td>.6875-24</td></tr> <tr><td>13</td><td>.7500-20</td></tr> <tr><td>14</td><td>.9375-20</td></tr> <tr><td>17</td><td>1.1875-18</td></tr> </tbody> </table>	Size Code	Thread Size	05	.2500-32	06	.3125-32	11	.3750-32	07	.4375-28	08	.5000-28	09	.5625-24	10	.6250-24	12	.6875-24	13	.7500-20	14	.9375-20	17	1.1875-18	<table border="1" style="font-size: small;"> <thead> <tr> <th rowspan="2">Cable Entry Code</th> <th colspan="2">Cable Sealing Dia.</th> </tr> <tr> <th>Max.</th> <th>Min.</th> </tr> </thead> <tbody> <tr><td>01-</td><td>.109</td><td>.031</td></tr> <tr><td>02-</td><td>.172</td><td>.078</td></tr> <tr><td>03-</td><td>.234</td><td>.140</td></tr> <tr><td>04-</td><td>.297</td><td>.203</td></tr> <tr><td>05-</td><td>.359</td><td>.265</td></tr> <tr><td>06-</td><td>.422</td><td>.328</td></tr> <tr><td>07-</td><td>.484</td><td>.390</td></tr> <tr><td>08-</td><td>.547</td><td>.453</td></tr> <tr><td>09-</td><td>.609</td><td>.515</td></tr> <tr><td>10-</td><td>.672</td><td>.578</td></tr> <tr><td>11-</td><td>.734</td><td>.640</td></tr> </tbody> </table>	Cable Entry Code	Cable Sealing Dia.		Max.	Min.	01-	.109	.031	02-	.172	.078	03-	.234	.140	04-	.297	.203	05-	.359	.265	06-	.422	.328	07-	.484	.390	08-	.547	.453	09-	.609	.515	10-	.672	.578	11-	.734	.640	<p style="text-align: center;">Straight Entry 390MS Only</p> <table border="1" style="font-size: small;"> <thead> <tr> <th>Length Code</th> <th>Length (Inches)</th> </tr> </thead> <tbody> <tr><td>5</td><td>.625</td></tr> <tr><td>6</td><td>.750</td></tr> <tr><td>7</td><td>.875</td></tr> <tr><td>8</td><td>1.000</td></tr> <tr><td>9</td><td>1.125</td></tr> <tr><td>10</td><td>1.250</td></tr> <tr><td>11</td><td>1.375</td></tr> <tr><td>12</td><td>1.500</td></tr> <tr><td>13</td><td>1.625</td></tr> <tr><td>14</td><td>1.750</td></tr> <tr><td>15</td><td>1.875</td></tr> <tr><td>16</td><td>2.000</td></tr> <tr><td>17</td><td>2.125</td></tr> <tr><td>18</td><td>2.250</td></tr> <tr><td>19</td><td>2.375</td></tr> <tr><td>20</td><td>2.500</td></tr> </tbody> </table> <p style="text-align: center;">Specify length in increments of .125 inches (3.18 mm.)</p>	Length Code	Length (Inches)	5	.625	6	.750	7	.875	8	1.000	9	1.125	10	1.250	11	1.375	12	1.500	13	1.625	14	1.750	15	1.875	16	2.000	17	2.125	18	2.250	19	2.375	20	2.500	<p style="text-align: center;">Omit for screw clamp with saddle bars</p> <p style="text-align: center;"><b>N</b> Optional Compression Nut, Low Profile</p>
	Size Code		Thread Size																																																																																																		
	05		.2500-32																																																																																																		
	06		.3125-32																																																																																																		
	11		.3750-32																																																																																																		
	07		.4375-28																																																																																																		
	08		.5000-28																																																																																																		
	09		.5625-24																																																																																																		
	10		.6250-24																																																																																																		
	12		.6875-24																																																																																																		
13	.7500-20																																																																																																				
14	.9375-20																																																																																																				
17	1.1875-18																																																																																																				
Cable Entry Code	Cable Sealing Dia.																																																																																																				
	Max.	Min.																																																																																																			
01-	.109	.031																																																																																																			
02-	.172	.078																																																																																																			
03-	.234	.140																																																																																																			
04-	.297	.203																																																																																																			
05-	.359	.265																																																																																																			
06-	.422	.328																																																																																																			
07-	.484	.390																																																																																																			
08-	.547	.453																																																																																																			
09-	.609	.515																																																																																																			
10-	.672	.578																																																																																																			
11-	.734	.640																																																																																																			
Length Code	Length (Inches)																																																																																																				
5	.625																																																																																																				
6	.750																																																																																																				
7	.875																																																																																																				
8	1.000																																																																																																				
9	1.125																																																																																																				
10	1.250																																																																																																				
11	1.375																																																																																																				
12	1.500																																																																																																				
13	1.625																																																																																																				
14	1.750																																																																																																				
15	1.875																																																																																																				
16	2.000																																																																																																				
17	2.125																																																																																																				
18	2.250																																																																																																				
19	2.375																																																																																																				
20	2.500																																																																																																				

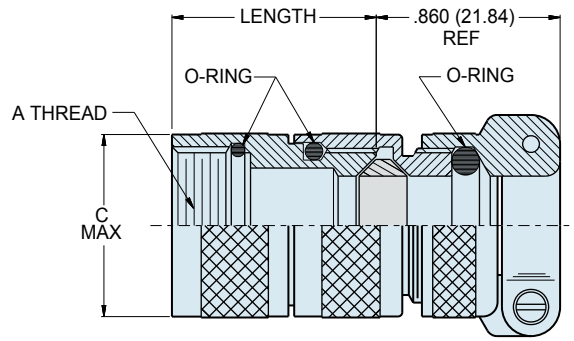
Dimensions in inches (millimeters) and are subject to change without notice.



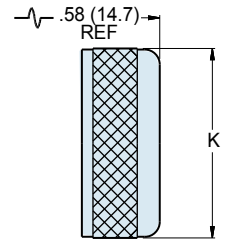
# Series 80 Mighty Mouse Environmental EMI Backshell Dimensions 390MS077, 390MS076, 390MB077 and 390MA077



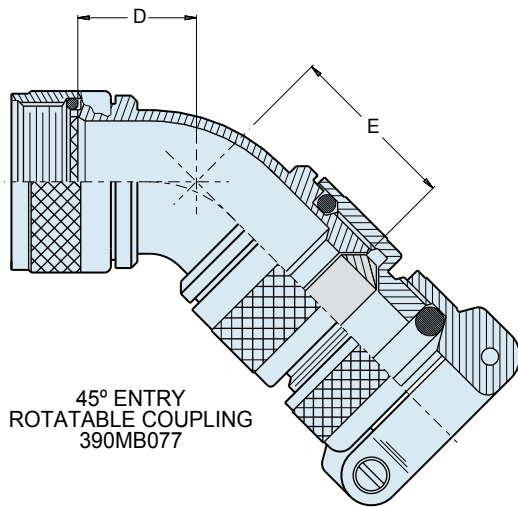
STRAIGHT ENTRY  
ROTATABLE COUPLING  
390MS077



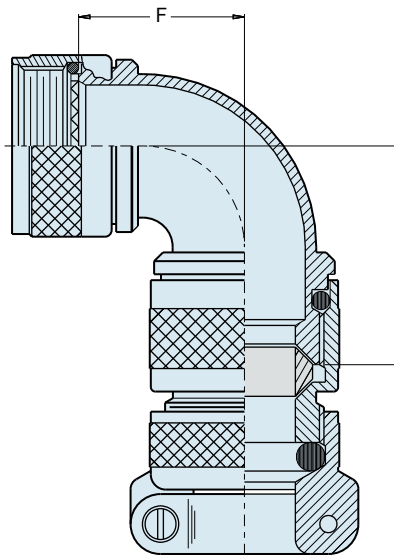
STRAIGHT ENTRY  
DIRECT COUPLING  
390MS076



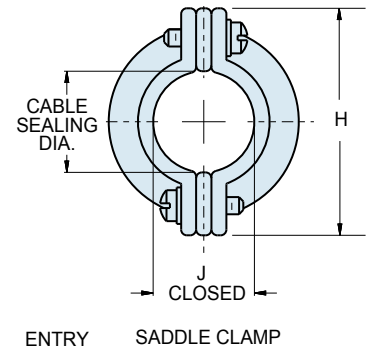
CLAMP STYLE N  
COMPRESSION NUT



45° ENTRY  
ROTATABLE COUPLING  
390MB077



90° ENTRY  
ROTATABLE COUPLING  
390MA077



DIMENSIONS							
Size Code	A Thds.	B Max.		C Max.		Std. Length*	
		In.	mm.	In.	mm.	In.	mm.
05	.2500-32	.470	11.94	.350	8.89	.750	19.05
06	.3125-32	.530	13.46	.415	10.54	.750	19.05
11	.3750-32	.570	14.48	.570	14.48	.750	19.05
07	.4375-28	.637	16.18	.530	13.46	.750	19.05
08	.5000-28	.700	17.78	.595	15.11	.750	19.05
09	.5625-24	.758	19.25	.650	16.51	.750	19.05
10	.6250-24	.819	20.80	.715	18.16	.750	19.05
12	.6875-24	.896	22.76	.785	19.94	.880	22.35
13	.7500-20	.930	23.62	.930	23.62	.880	22.35
14	.9375-20	1.137	28.88	1.137	28.88	1.000	25.40
17	1.1875-18	1.387	35.23	1.387	35.23	1.130	28.70

\*Choose standard length for best availability

DIMENSIONS																
Cable Entry Code	Cable Sealing Dia.		D Max.		E Max.		F Max.		G Max.		H		Ø J Closed		Ø K	
	Max.	Min.	In.	mm.	In.	mm.	In.	mm.	In.	mm.	In.	mm.	In.	mm.	In.	mm.
01	.109	.031	.603	15.32	.681	17.30	.724	18.39	.802	20.37	.496	12.60	.110	2.79	.398	10.11
02	.172	.078	.603	15.32	.681	17.30	.724	18.39	.802	20.37	.582	14.78	.170	4.32	.460	11.68
03	.234	.140	.603	15.32	.681	17.30	.724	18.39	.802	20.37	.656	16.66	.230	5.84	.523	13.28
04	.297	.203	.629	15.98	.707	17.96	.786	19.96	.864	21.95	.726	18.44	.300	7.62	.585	14.86
05	.359	.265	.629	15.98	.707	17.96	.786	19.96	.864	21.95	.885	22.48	.360	9.14	.647	16.43
06	.422	.328	.655	16.64	.733	18.62	.848	21.54	.926	23.52	.952	24.18	.420	10.67	.710	18.03
07	.484	.390	.655	16.64	.733	18.62	.848	21.54	.926	23.52	1.018	25.86	.480	12.19	.773	19.63
08	.547	.453	.707	17.96	.785	19.94	.911	23.14	.989	25.12	1.084	27.53	.550	13.97	.835	21.21
09	.609	.515	.707	17.96	.785	19.94	.911	23.14	.989	25.12	1.148	29.16	.610	15.49	.897	22.78

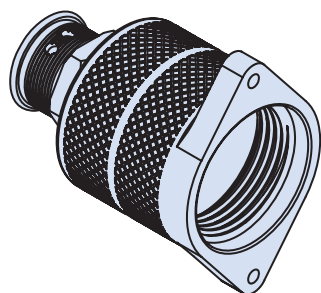
Dimensions in inches (millimeters) and are subject to change without notice.





# Series 80 Mighty Mouse Molding and Banding Backshell Adapter With Lanyard Ordering Information

809-242



Banding Adapter with integrated lanyard

**BAND-IT® Strap**  
Microband 600-057-1



**Micro Band  
Tool**  
600-061



### Materials

Shell	Aluminum Alloy or Stainless Steel
Band	300 Series SST
Lanyard	Stainless Steel

### HOW TO ORDER

Sample Part Number

809-242

NF

- 6

- 06

- 08

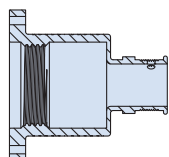
K

Part Number

Shell  
Material/FinishLanyard  
LengthShell Size  
Code

Cable Entry

Band Option



**809-242**  
Straight Entry

**C**  
Aluminum / Black Anodize  
(Non-Conductive)  
RoHS Compliant

**M**  
Aluminum /  
Electroless Nickel  
RoHS Compliant

**NF**  
Aluminum / Cadmium with  
Olive Drab Chromate

**ZN**  
Aluminum / Zinc-Nickel  
with Olive Drab Chromate

**ZNU**  
Aluminum / Zinc-Nickel  
with Black Chromate

**MT**  
Aluminum / Nickel-PTFE  
RoHS Compliant

**Z1**  
Stainless Steel /  
Passivated  
RoHS Compliant

Length in  
Inches, based  
on a 3/8 inch  
diameter  
mandrel

Size Code	Thread Size
<b>06</b>	.3125-32
<b>08</b>	.5000-28
<b>09</b>	.5625-24
<b>10</b>	.6250-24

Cable Entry Code	Cable Entry Dia. (In.)
<b>06</b>	.237
<b>07</b>	.325
<b>08</b>	.389
<b>09</b>	.445
<b>10</b>	.514

Omit for no band  
supplied

**K**  
Adapter is supplied  
with **BAND-IT®**  
shield termination  
band, pre-coiled

Dimensions in inches (millimeters) and are subject to change without notice.

© 2011 Glenair, Inc.

CAGE Code 06324

Printed in U.S.A.

**GLEN AIR, INC. • 1211 AIR WAY • GLENDALE, CA 91201-2497 • 818-247-6000 • FAX 818-500-9912**

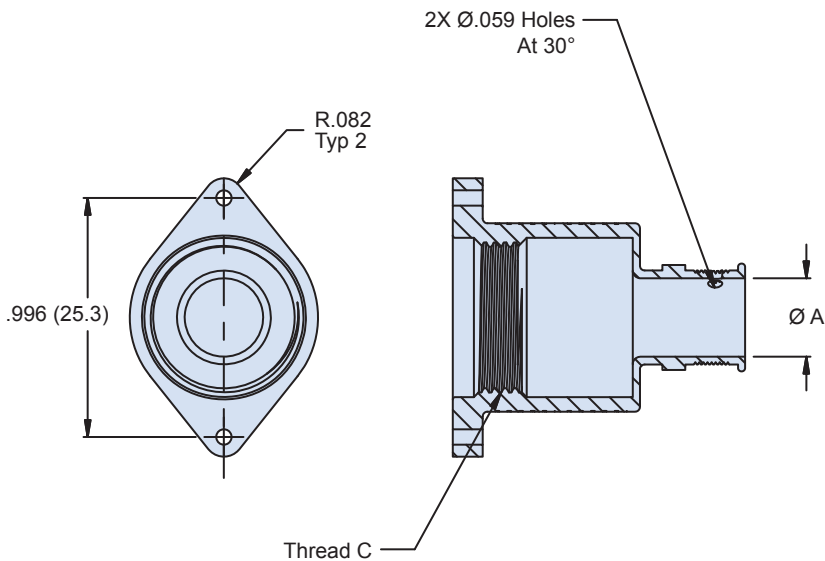
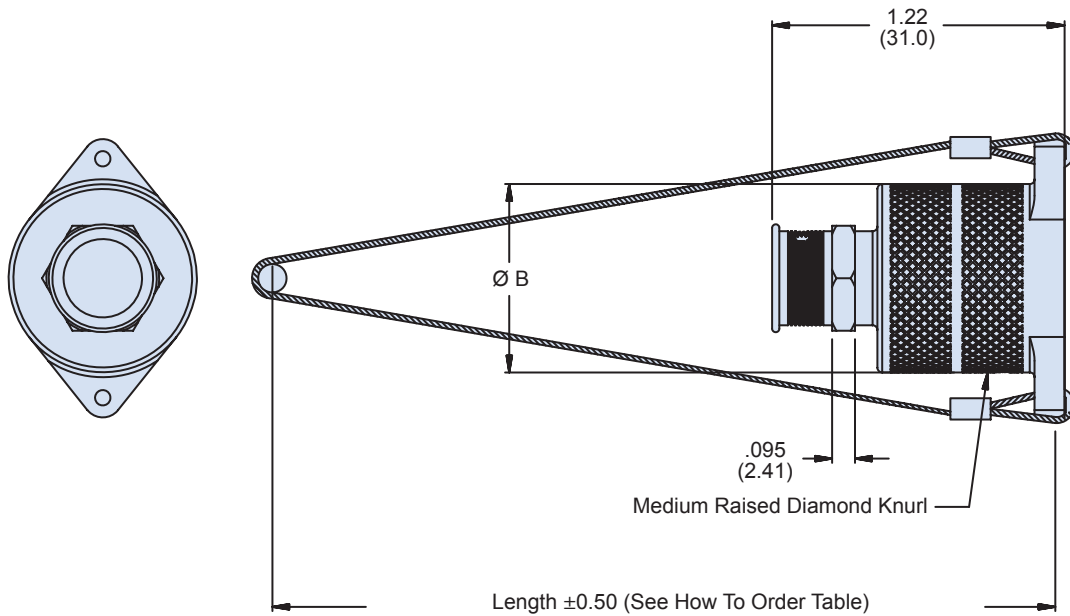
www.glenair.com

L-26

E-Mail: sales@glenair.com

17-JULY-2011

**Series 80 Mighty Mouse  
Molding and Banding Backshell Adapter  
With Lanyard Dimensions  
809-242**



**Table I: Shell Size**

Shell Size	Ø B	Thread C
06	.480 (12.2)	.3125-32 UNEF-2B
08	.600 (15.2)	.5000-28 UNEF-2B
09	.700 (17.8)	.5625-24 UNEF-2B
10	.790 (20.1)	.6250-24 UNEF-2B

**Table II: Cable Entry**

Cable Entry Code	Ø A
06	.237 (6.02)
07	.325 (8.30)
08	.389 (9.90)
09	.445 (11.3)
10	.514 (13.1)

Dimensions in inches (millimeters) and are subject to change without notice.

**SERIES 77**

# FULL NELSON

## Heat Shrink Boots

*Outstanding Environmental and Mechanical Protection*

*“Think he’ll ever break that hold?  
Nope. He’s got him in a Full Nelson!”*



**N**othing conjures up the image of an unbreakable hold like a Standing Full Nelson. Properly applied, this classic Greco-Roman wrestling move is simply unbeatable. We'd like to think the same holds true for our Series 77 *Full Nelson* Environmental Shrink Boots. Properly applied, Series 77 boots provide a dependable, leak-proof seal for interconnect cable assemblies. Optional adhesive coatings on the inside of the boot provide a watertight, high-

strength bond to the cable jacket and the connector or adapter. And the Glenair shape-memory boot material formula works every time. So if you're worried about sealing effectiveness, if you want long lasting environmental protection, if you want an ingress prevention solution that won't lose its grip after years of dutiful service, get a Series 77 *Full Nelson*—the environmental shrink boot with the iron grip of a championship wrestler.



249-003-800-05B..... L-10	249-003-804-14C ..... L-10	600-137-12 ..... A-14	600-147-5 ..... A-14
249-003-800-05C ..... L-10	249-003-804-15B..... L-10	600-137-14 ..... A-14	600-147-6 ..... A-14
249-003-800-06B..... L-10	249-003-804-15C ..... L-10	600-137-15 ..... A-14	600-147-7 ..... A-14
249-003-800-06C ..... L-10	249-003-805-08B.....L-11	600-140-5 ..... A-14	600-147-7 ..... A-14
249-003-800-07B..... L-10	249-003-805-08C .....L-11	600-140-6 ..... A-14	600-147-9 ..... A-14
249-003-800-07C ..... L-10	249-003-805-09B.....L-11	600-140-7 ..... A-14	600-147-10 ..... A-14
249-003-800-08B..... L-10	249-003-805-09C .....L-11	600-140-8 ..... A-14	600-147-12 ..... A-14
249-003-800-08C ..... L-10	249-003-805-10B.....L-11	600-140-9 ..... A-14	600-147-14 ..... A-14
249-003-800-09B..... L-10	249-003-805-10C .....L-11	600-140-10 ..... A-14	600-147-15 ..... A-14
249-003-800-09C ..... L-10	249-003-805-11B.....L-11	600-140-12 ..... A-14	600-154-08 ..... A-14
249-003-800-10B..... L-10	249-003-805-11C.....L-11	600-140-14 ..... A-14	600-154-09 ..... A-14
249-003-800-10C ..... L-10	249-003-805-12B.....L-11	600-140-15 ..... A-14	600-154-09 ..... A-14
249-003-800-12B..... L-10	249-003-805-12C .....L-11	600-141-5 ..... A-14	600-154-11 ..... A-14
249-003-800-12C ..... L-10	249-003-805-15B.....L-11	600-141-6 ..... A-14	600-154-12 ..... A-14
249-003-801-05B..... L-10	249-003-805-15C .....L-11	600-141-7 ..... A-14	600-154-15 ..... A-14
249-003-801-05C ..... L-10	249-003-805-18B.....L-11	600-141-8 ..... A-14	600-154-18 ..... A-14
249-003-801-06B..... L-10	249-003-805-18C .....L-11	600-141-9 ..... A-14	600-154-19 ..... A-14
249-003-801-06C ..... L-10	249-003-805-19B.....L-11	600-141-10 ..... A-14	600-154-19 ..... A-14
249-003-801-07B..... L-10	249-003-805-19C .....L-11	600-141-12 ..... A-14	600-154-23 ..... A-14
249-003-801-07C ..... L-10	249-003-805-23B.....L-11	600-141-14 ..... A-14	600-155-8 ..... A-14
249-003-801-08B..... L-10	249-003-805-23C .....L-11	600-141-15 ..... A-14	600-155-9 ..... A-14
249-003-801-08C ..... L-10	340MS026 ..... L-12	600-146-01 ..... A-14	600-155-10 ..... A-14
249-003-801-09B..... L-10	370MA038 ..... L-20	600-146-02 ..... A-14	600-155-11 ..... A-14
249-003-801-09C ..... L-10	370MB038 ..... L-20	600-146-02 ..... A-14	600-155-12 ..... A-14
249-003-801-10B..... L-10	370MS037 ..... L-20	600-146-03 ..... A-14	600-155-15 ..... A-14
249-003-801-10C ..... L-10	370MS038 ..... L-20	600-146-03 ..... A-14	600-155-18 ..... A-14
249-003-801-13B..... L-10	380MA137 ..... L-22	600-146-03 ..... A-14	600-155-19 ..... A-14
249-003-801-13C ..... L-10	380MB137 ..... L-22	600-146-04 ..... A-14	600-155-23 ..... A-14
249-003-801-16B..... L-10	380MS135 ..... L-22	600-146-04 ..... A-14	600M005-05 ..... A-14
249-003-801-16C ..... L-10	380MS137 ..... L-22	600-146-05 ..... A-14	600M005-06 ..... A-14
249-003-801-17B..... L-10	390MA077 ..... L-24	600-146-05 ..... A-14	600M005-07 ..... A-14
249-003-801-17C ..... L-10	390MB077 ..... L-24	600-146-05 ..... A-14	600M005-08 ..... A-14
249-003-801-21B..... L-10	390MS076 ..... L-24	600-146-06 ..... A-14	600M005-09 ..... A-14
249-003-801-21C ..... L-10	390MS077 ..... L-24	600-146-06 ..... A-14	600M005-10 ..... A-14
249-003-804-05B..... L-10	440MK135 ..... L-16	600-146-06 ..... A-14	600M005-12 ..... A-14
249-003-804-05C ..... L-10	440ML135..... L-16	600-146-06 ..... A-14	600MM005-05 ..... A-14
249-003-804-06B..... L-10	440MS134 ..... L-18	600-146-06 ..... A-14	600MM005-06 ..... A-14
249-003-804-06C ..... L-10	440MS135 ..... L-16	600-146-07 ..... A-14	600MM005-07 ..... A-14
249-003-804-07B..... L-10	600-057 ..... A-13	600-146-07 ..... A-14	600MM005-08 ..... A-14
249-003-804-07C ..... L-10	600-057-1 ..... A-13	600-146-08 ..... A-14	600MM005-09 ..... A-14
249-003-804-08B..... L-10	600-061 ..... A-13	600-146-08 ..... A-14	600MM005-10 ..... A-14
249-003-804-08C ..... L-10	600-083 ..... A-13	600-146-08 ..... A-14	600MM005-13 ..... A-14
249-003-804-09B..... L-10	600-083-1 ..... A-13	600-146-10 ..... A-14	600MM005-16 ..... A-14
249-003-804-09C ..... L-10	600-137-05 ..... A-14	600-146-10 ..... A-14	600MM005-17 ..... A-14
249-003-804-10B..... L-10	600-137-06 ..... A-14	600-146-10 ..... A-14	600MM005-21 ..... A-14
249-003-804-10C ..... L-10	600-137-07 ..... A-14	600-146-11 ..... A-14	620MS064 ..... L-14
249-003-804-12B..... L-10	600-137-08 ..... A-14	600-146-12 ..... A-14	620MS065 ..... L-14
249-003-804-12C ..... L-10	600-137-09 ..... A-14	600-146-13 ..... A-14	660-082 ..... F-19
249-003-804-14B..... L-10	600-137-10 ..... A-14	600-146-13 ..... A-14	660-083 ..... F-19
		600-146-14 ..... A-14	660-087 ..... E-23
		600-146-17 ..... A-14	

Dimensions in inches (millimeters) and are subject to change without notice.

660-088 .....	E-23	800-007 .....	C-5	803-003 .....	F-7	809-015 .....	A-2
667-184 .....	C-25	800-008 .....	C-5	803-004 .....	F-7	809-015 .....	A-10
667-185 .....	C-25	800-009 .....	C-5	803-005 .....	F-11	809-035M01W .....	L-6
667-202 .....	G-25	800-010 .....	C-7	803-006 .....	F-13	809-035M02W .....	L-6
667-217 .....	D-27	800-011 .....	C-7	803-007 .....	K-4	809-035M03W .....	L-6
667-218 .....	D-27	800-012 .....	C-11	803-009 .....	F-16	809-035M04W .....	L-6
667-261 .....	H-25	800-013 .....	C-18	803-011 .....	K-12	809-035M05W .....	L-6
667-262 .....	H-25	800-032 .....	C-14	803-012 .....	K-14	809-035M06W .....	L-6
667-282M05 .....	G-33	800-034 .....	C-21	803-013 .....	F-17	809-035M07W .....	L-6
667-282M06 .....	G-33	800-035 .....	K-4	803-014 .....	F-17	809-035M08W .....	L-6
667-282M07 .....	G-33	800-036 .....	K-12	803-015 .....	F-11	809-035M09W .....	L-6
667-282M08 .....	G-33	800-037 .....	K-14	803-016 .....	F-16	809-035M10W .....	L-6
667-282M08 .....	G-33	800-038 .....	C-22	804-001 .....	G-5	809-035M11W .....	L-6
667-282M10 .....	G-33	800-039 .....	C-23	804-002 .....	G-5	809-035M12W .....	L-6
667-282M12 .....	G-33	800-040 .....	C-11	804-003 .....	G-7	809-035M13W .....	L-6
667-282M14 .....	G-33	800-041 .....	C-22	804-004 .....	G-7	809-035M14W .....	L-6
667-282MT05 .....	G-33	801-007 .....	D-6	804-005 .....	G-11	809-035M15W .....	L-6
667-282MT06 .....	G-33	801-008 .....	D-6	804-006 .....	G-18	809-035M16W .....	L-6
667-282MT07 .....	G-33	801-009 .....	D-8	804-009 .....	G-14	809-035M17W .....	L-6
667-282MT08 .....	G-33	801-010 .....	D-8	804-013 .....	K-4	809-035M18W .....	L-6
667-282MT09 .....	G-33	801-011 .....	D-12	804-015 .....	G-22	809-035M19W .....	L-6
667-282MT10 .....	G-33	801-012 .....	D-17	804-016 .....	K-12	809-035M20W .....	L-6
667-282MT12 .....	G-33	801-017 .....	D-21	804-017 .....	K-14	809-035M21W .....	L-6
667-282MT14 .....	G-33	801-023 .....	D-14	804-018 .....	G-23	809-035MT01W .....	L-6
667-282NF05 .....	G-33	801-024 .....	K-4	804-019 .....	G-23	809-035MT02W .....	L-6
667-282NF06 .....	G-33	801-026 .....	D-24	804-020 .....	G-11	809-035MT03W .....	L-6
667-282NF07 .....	G-33	801-028 .....	K-12	804-021 .....	G-14	809-035MT04W .....	L-6
667-282NF08 .....	G-33	801-029 .....	K-14	804-022 .....	G-22	809-035MT05W .....	L-6
667-282NF09 .....	G-33	801-031 .....	D-25	805-001 .....	H-6	809-035MT06W .....	L-6
667-282NF10 .....	G-33	801-032 .....	D-25	805-002 .....	H-6	809-035MT07W .....	L-6
667-282NF12 .....	G-33	801-033 .....	D-12	805-003 .....	H-8	809-035MT08W .....	L-6
667-282NF14 .....	G-33	801-034 .....	D-24	805-004 .....	H-8	809-035MT09W .....	L-6
667-282Z105 .....	G-33	802-008 .....	E-4	805-005 .....	H-12	809-035MT10W .....	L-6
667-282Z106 .....	G-33	802-009 .....	E-4	805-006 .....	H-15	809-035MT11W .....	L-6
667-282Z107 .....	G-33	802-010 .....	E-6	805-007 .....	K-4	809-035MT12W .....	L-6
667-282Z108 .....	G-33	802-011 .....	E-6	805-009 .....	H-22	809-035MT13W .....	L-6
667-282Z109 .....	G-33	802-012 .....	E-10	805-010 .....	H-19	809-035MT14W .....	L-6
667-282Z110 .....	G-33	802-013 .....	E-14	805-012 .....	K-12	809-035MT15W .....	L-6
667-282Z112 .....	G-33	802-019 .....	E-20	805-013 .....	K-14	809-035MT16W .....	L-6
667-282Z114 .....	G-33	802-022 .....	E-20	805-015 .....	H-23	809-035MT17W .....	L-6
667-282ZNU05 .....	G-33	802-022 .....	E-20	805-016 .....	H-23	809-035MT18W .....	L-6
667-282ZNU06 .....	G-33	802-026 .....	E-21	805-017 .....	H-12	809-035MT19W .....	L-6
667-282ZNU07 .....	G-33	802-027 .....	E-21	805-018 .....	H-22	809-035MT20W .....	L-6
667-282ZNU08 .....	G-33	802-028 .....	E-21	809-001 .....	A-2	809-035MT21W .....	L-6
667-282ZNU09 .....	G-33	802-029 .....	E-21	809-001 .....	A-3	809-035NF01W .....	L-6
667-282ZNU10 .....	G-33	802-030 .....	E-10	809-002 .....	A-2	809-035NF02W .....	L-6
667-282ZNU12 .....	G-33	802-032 .....	E-20	809-002 .....	A-3	809-035NF03W .....	L-6
667-282ZNU14 .....	G-33	803-001 .....	F-5	809-005 .....	A-10	809-035NF04W .....	L-6
800-006 .....	C-5	803-002 .....	F-5	809-013 .....	A-12	809-035NF05W .....	L-6

Dimensions in inches (millimeters) and are subject to change without notice.

CAGE Code 06324

Printed in U.S.A.

© 2010 Glenair, Inc.

**GLENAIR, INC. • 1211 AIR WAY • GLENDALE, CA 91201-2497 • 818-247-6000 • FAX 818-500-9912**

www.glenair.com

**INDEX-2**

E-Mail: sales@glenair.com

01-JANUARY-2010



809-035NF06W ..... L-6	809-035ZC13W ..... L-6	809-054-16F ..... L-10	809-093 ..... A-5
809-035NF07W ..... L-6	809-035ZC14W ..... L-6	809-054-17E ..... L-10	809-107-1 ..... A-12
809-035NF08W ..... L-6	809-035ZC15W ..... L-6	809-054-17F ..... L-10	809-107-2 ..... A-12
809-035NF09W ..... L-6	809-035ZC16W ..... L-6	809-054-21E ..... L-10	809-107-3 ..... A-12
809-035NF10W ..... L-6	809-035ZC17W ..... L-6	809-054-21F ..... L-10	809-107-4 ..... A-12
809-035NF11W ..... L-6	809-035ZC18W ..... L-6	809-055-05E ..... L-10	809-108F01 ..... L-7
809-035NF12W ..... L-6	809-035ZC19W ..... L-6	809-055-05F ..... L-10	809-108F02 ..... L-7
809-035NF13W ..... L-6	809-035ZC20W ..... L-6	809-055-06E ..... L-10	809-108F03 ..... L-7
809-035NF14W ..... L-6	809-035ZC21W ..... L-6	809-055-06F ..... L-10	809-108F04 ..... L-7
809-035NF15W ..... L-6	809-035ZNU01W ..... L-6	809-055-07E ..... L-10	809-108F05 ..... L-7
809-035NF16W ..... L-6	809-035ZNU02W ..... L-6	809-055-07F ..... L-10	809-108F06 ..... L-7
809-035NF17W ..... L-6	809-035ZNU03W ..... L-6	809-055-08E ..... L-10	809-108F07 ..... L-7
809-035NF18W ..... L-6	809-035ZNU04W ..... L-6	809-055-08F ..... L-10	809-108F11 ..... L-7
809-035NF19W ..... L-6	809-035ZNU05W ..... L-6	809-055-09E ..... L-10	809-108F12 ..... L-7
809-035NF20W ..... L-6	809-035ZNU06W ..... L-6	809-055-09F ..... L-10	809-108F13 ..... L-7
809-035NF21W ..... L-6	809-035ZNU07W ..... L-6	809-055-10E ..... L-10	809-108F14 ..... L-7
809-035Z101W ..... L-6	809-035ZNU08W ..... L-6	809-055-10F ..... L-10	809-108F15 ..... L-7
809-035Z102W ..... L-6	809-035ZNU09W ..... L-6	809-055-12E ..... L-10	809-108F16 ..... L-7
809-035Z103W ..... L-6	809-035ZNU10W ..... L-6	809-055-12F ..... L-10	809-108F17 ..... L-7
809-035Z104W ..... L-6	809-035ZNU11W ..... L-6	809-055-14E ..... L-10	809-108F18 ..... L-7
809-035Z105W ..... L-6	809-035ZNU12W ..... L-6	809-055-14F ..... L-10	809-108F19 ..... L-7
809-035Z106W ..... L-6	809-035ZNU13W ..... L-6	809-055-15E ..... L-10	809-108F20 ..... L-9
809-035Z107W ..... L-6	809-035ZNU14W ..... L-6	809-055-15F ..... L-10	809-108F21 ..... L-9
809-035Z108W ..... L-6	809-035ZNU15W ..... L-6	809-057 ..... A-10	809-108F22 ..... L-9
809-035Z109W ..... L-6	809-035ZNU16W ..... L-6	809-065A ..... A-2	809-108F23 ..... L-9
809-035Z110W ..... L-6	809-035ZNU17W ..... L-6	809-065A ..... A-3	809-108F24 ..... L-9
809-035Z111W ..... L-6	809-035ZNU18W ..... L-6	809-065C ..... A-2	809-108F25 ..... L-9
809-035Z112W ..... L-6	809-035ZNU19W ..... L-6	809-065C ..... A-3	809-108F26 ..... L-9
809-035Z113W ..... L-6	809-035ZNU20W ..... L-6	809-066A ..... A-2	809-108F27 ..... L-9
809-035Z114W ..... L-6	809-035ZNU21W ..... L-6	809-066A ..... A-3	809-108F28 ..... L-9
809-035Z115W ..... L-6	809-042 ..... A-2	809-066C ..... A-2	809-108F31 ..... L-8
809-035Z116W ..... L-6	809-042 ..... A-3	809-066C ..... A-3	809-108F32 ..... L-8
809-035Z117W ..... L-6	809-043 ..... A-2	809-067-05E ..... L-10	809-108F33 ..... L-8
809-035Z118W ..... L-6	809-043 ..... A-3	809-067-05F ..... L-10	809-108F34 ..... L-8
809-035Z119W ..... L-6	809-054-05E ..... L-10	809-067-06E ..... L-10	809-108F35 ..... L-8
809-035Z120W ..... L-6	809-054-05F ..... L-10	809-067-06F ..... L-10	809-108F36 ..... L-8
809-035Z121W ..... L-6	809-054-06E ..... L-10	809-067-07E ..... L-10	809-108F37 ..... L-8
809-035ZC01W ..... L-6	809-054-06F ..... L-10	809-067-07F ..... L-10	809-108F38 ..... L-8
809-035ZC02W ..... L-6	809-054-07E ..... L-10	809-067-08E ..... L-10	809-108F39 ..... L-8
809-035ZC03W ..... L-6	809-054-07F ..... L-10	809-067-08F ..... L-10	809-108F43 ..... L-7
809-035ZC04W ..... L-6	809-054-08E ..... L-10	809-067-09E ..... L-10	809-108F51 ..... L-8
809-035ZC05W ..... L-6	809-054-08F ..... L-10	809-067-09F ..... L-10	809-108F52 ..... L-8
809-035ZC06W ..... L-6	809-054-09E ..... L-10	809-067-10E ..... L-10	809-108F53 ..... L-8
809-035ZC07W ..... L-6	809-054-09F ..... L-10	809-067-10F ..... L-10	809-108F54 ..... L-8
809-035ZC08W ..... L-6	809-054-10E ..... L-10	809-067-12E ..... L-10	809-108F55 ..... L-8
809-035ZC09W ..... L-6	809-054-10F ..... L-10	809-067-12F ..... L-10	809-108F56 ..... L-8
809-035ZC10W ..... L-6	809-054-13E ..... L-10	809-083 ..... G-30	809-108F57 ..... L-8
809-035ZC11W ..... L-6	809-054-13F ..... L-10	809-087 ..... G-30	809-108F58 ..... L-8
809-035ZC12W ..... L-6	809-054-16E ..... L-10	809-088 ..... A-12	809-108F59 ..... L-8

Dimensions in inches (millimeters) and are subject to change without notice.



809-108F60.....	L-8	809-108V54.....	L-8	809-117.....	A-7	809-165-21.....	L-11
809-108N51.....	L-8	809-108V55.....	L-8	809-118.....	A-7	809-190.....	D-30
809-108N52.....	L-8	809-108V56.....	L-8	809-119.....	A-7	809-191.....	D-30
809-108N53.....	L-8	809-108V57.....	L-8	809-120.....	A-7	809-203.....	A-12
809-108N54.....	L-8	809-108V58.....	L-8	809-121.....	A-7	809-204.....	A-5
809-108N55.....	L-8	809-108V59.....	L-8	809-124.....	A-10	809-205.....	A-5
809-108N56.....	L-8	809-108V60.....	L-8	809-125.....	A-10	809-206.....	A-10
809-108N57.....	L-8	809-108X01.....	L-7	809-126.....	A-11	809-207.....	A-12
809-108N58.....	L-8	809-108X02.....	L-7	809-127.....	A-11	809A060-1.....	L-4
809-108N59.....	L-8	809-108X03.....	L-7	809-128.....	A-2	809A060-1H.....	L-4
809-108N60.....	L-8	809-108X04.....	L-7	809-128.....	A-10	809A060-2.....	L-4
809-108V01.....	L-7	809-108X05.....	L-7	809-129.....	A-11	809A060-2H.....	L-4
809-108V02.....	L-7	809-108X06.....	L-7	809-130.....	A-11	809A060-3.....	L-4
809-108V03.....	L-7	809-108X07.....	L-7	809-131.....	A-12	809A060-3H.....	L-4
809-108V04.....	L-7	809-108X11.....	L-7	809-132.....	A-12	809A060-4.....	L-4
809-108V05.....	L-7	809-108X12.....	L-7	809-133.....	A-11	809A060-4H.....	L-4
809-108V06.....	L-7	809-108X13.....	L-7	809-134.....	A-11	809A060-5.....	L-4
809-108V07.....	L-7	809-108X14.....	L-7	809-135.....	A-10	809A060-5H.....	L-4
809-108V11.....	L-7	809-108X15.....	L-7	809-136.....	A-11	809A060-6.....	L-4
809-108V12.....	L-7	809-108X16.....	L-7	809-137.....	A-11	809A060-6H.....	L-4
809-108V13.....	L-7	809-108X17.....	L-7	809-138.....	A-11	809S060-1.....	L-4
809-108V14.....	L-7	809-108X18.....	L-7	809-150-08E.....	L-11	809S060-1H.....	L-4
809-108V15.....	L-7	809-108X19.....	L-7	809-150-08F.....	L-11	809S060-2.....	L-4
809-108V16.....	L-7	809-108X20.....	L-9	809-150-09E.....	L-11	809S060-2H.....	L-4
809-108V17.....	L-7	809-108X21.....	L-9	809-150-09F.....	L-11	809S060-3.....	L-4
809-108V18.....	L-7	809-108X22.....	L-9	809-150-10E.....	L-11	809S060-3H.....	L-4
809-108V19.....	L-7	809-108X23.....	L-9	809-150-10F.....	L-11	809S060-4.....	L-4
809-108V20.....	L-9	809-108X24.....	L-9	809-150-11E.....	L-11	809S060-4H.....	L-4
809-108V21.....	L-9	809-108X25.....	L-9	809-150-11F.....	L-11	809S060-5.....	L-4
809-108V22.....	L-9	809-108X26.....	L-9	809-150-12E.....	L-11	809S060-5H.....	L-4
809-108V23.....	L-9	809-108X27.....	L-9	809-150-12F.....	L-11	809S060-6.....	L-4
809-108V24.....	L-9	809-108X28.....	L-9	809-150-15E.....	L-11	809S060-6H.....	L-4
809-108V25.....	L-9	809-108X31.....	L-8	809-150-15F.....	L-11	850-002-20-363.....	A-6
809-108V26.....	L-9	809-108X32.....	L-8	809-150-18E.....	L-11	850-003-20-357.....	A-6
809-108V27.....	L-9	809-108X33.....	L-8	809-150-18F.....	L-11	852-015-01.....	A-8
809-108V28.....	L-9	809-108X34.....	L-8	809-150-19E.....	L-11	852-015-02.....	A-8
809-108V31.....	L-8	809-108X35.....	L-8	809-150-19F.....	L-11	852-015-03.....	A-8
809-108V32.....	L-8	809-108X36.....	L-8	809-150-23E.....	L-11	852-016-01.....	A-8
809-108V33.....	L-8	809-108X37.....	L-8	809-150-23F.....	L-11	852-016-02.....	A-8
809-108V34.....	L-8	809-108X38.....	L-8	809-155.....	A-9	852-016-03.....	A-8
809-108V35.....	L-8	809-108X39.....	L-8	809-165-05.....	L-11	852-017.....	A-8
809-108V36.....	L-8	809-108X43.....	L-7	809-165-06.....	L-11	852-018.....	A-8
809-108V37.....	L-8	809-110.....	A-6	809-165-07.....	L-11	857-010.....	A-9
809-108V38.....	L-8	809-111.....	A-6	809-165-08.....	L-11	857-011.....	A-9
809-108V39.....	L-8	809-112.....	A-6	809-165-09.....	L-11	859-006.....	A-10
809-108V43.....	L-7	809-113.....	A-6	809-165-10.....	L-11	859-012.....	A-9
809-108V51.....	L-8	809-114.....	A-7	809-165-12.....	L-11	859-013.....	A-9
809-108V52.....	L-8	809-115.....	A-7	809-165-14.....	L-11	859-014.....	A-9
809-108V53.....	L-8	809-116.....	A-7	809-165-15.....	L-11		

Dimensions in inches (millimeters) and are subject to change without notice.

CAGE Code 06324

Printed in U.S.A.

© 2010 Glenair, Inc.

**GLENAIR, INC. • 1211 AIR WAY • GLENDALE, CA 91201-2497 • 818-247-6000 • FAX 818-500-9912**

www.glenair.com

**INDEX-4**

E-Mail: sales@glenair.com

01-JANUARY-2010

# WHY CHOOSE GLENAIR?



Plenty of Raw Materials!



Outstanding  
Customer Service!



Abundant Machining Capacity!



In-House Assembly!



Huge "Same-Day" Inventory!

**G**lenair®



# A World of Interconnect Solutions

## Glenair, Inc.

1211 Air Way • Glendale, California • 91201-2497  
Telephone: 818-247-6000 • Fax: 818-500-9912 • sales@glenair.com  
[www.glenair.com](http://www.glenair.com)

---

**Glenair Power  
Products Group**  
25 Village Lane  
Wallingford, CT  
06492

Telephone:  
203-741-1115  
Facsimile:  
203-741-0053  
sales@glenair.com

---

**Glenair UK Ltd**  
40 Lower Oakham Way  
Oakham Business Park  
P.O. Box 37, Mansfield  
Notts, NG18 5BY England

Telephone:  
44-1623-638100  
Facsimile:  
44-1623-638111  
sales@glenair.co.uk

---

**Glenair Microway Systems**  
7000 North Lawndale Avenue  
Lincolnwood, IL  
60712

Telephone:  
847-679-8833  
Facsimile:  
847-679-8849

---

**Glenair Nordic AB**  
Gustav III : S Boulevard 46  
S - 169 27 Solna  
Sweden

Telephone:  
46-8-50550000  
Facsimile:  
46-8-50550001  
sales@glenair.se

---

**Glenair Electric GmbH**  
Siemensstrasse 9  
D-61449 Steinbach  
Germany

Telephone:  
49-6171-5905-0  
Facsimile:  
49-6171-5905-90  
germany@glenair.com

---

**Glenair Iberica**  
C/ La Vega, 16  
45612 Velada  
Spain

Telephone:  
34-925-89-29-88  
Facsimile:  
34-925-89-29-87  
sales@glenair.es

---

**Glenair Italia S.R.L.**  
Via Santi, 1  
20037 Paderno Dugnano  
Milano, Italy

Telephone:  
39-02-9108-2121  
Facsimile:  
39-02-9904-3565  
sales-italia@glenair.it

---

**Glenair France SARL**  
7, Avenue Parmentier  
Immeuble Central Parc #2  
31200 Toulouse  
France

Telephone:  
33-5-34-40-97-40  
Facsimile:  
33-5-61-47-86-10  
sales@glenair.fr

